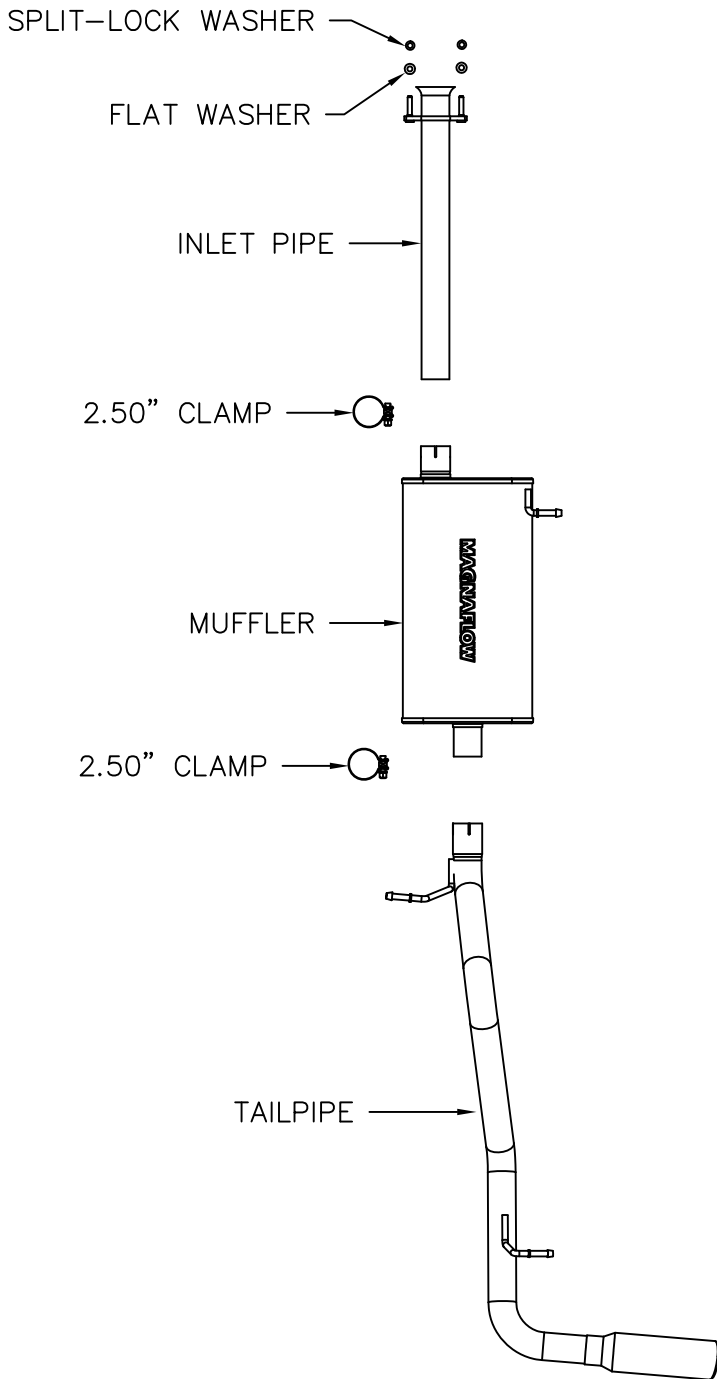


'04- CHEVY COLORADO/ GM CANYON 1-5 3.7L



Warning: When working on, under, or around any vehicle exercise caution. Please allow the vehicle's exhaust system to cool before removal, as exhaust system temperatures may cause severe burns. If working without a lift, always consult vehicle manual for correct lifting specifications. Always wear safety glasses and ensure a safe work area. Serious injury or death could occur if safety measures are not followed.

Step 1: (Carefully read all instructions before installation)

Disconnect the vehicle's battery before removal of the OEM exhaust. This will allow the computer to reset itself with the new system, and prevent electrical accidents. To remove the OEM system, unbolt the muffler inlet at the 2-stud flange, then disengage the welded hangers from the OEM rubber insulators to remove the muffler and tailpipe from the vehicle. Do not discard the OEM fasteners or damage the rubber insulators, as they will be reused to mount the new system. Cutting the tailpipe from the muffler may aid in removal of the system as well.

Step 2: Install the new inlet pipe by sliding on and fastening the supplied 2-stud flange to the catalytic converter extension using the supplied flat washers, split-lock washers and OEM flange nuts. Leave all fasteners and clamps loose for final adjustment of the complete system. Install the muffler and tailpipe using the supplied 2.5" band clamps and by fitting the welded hangers into the OEM rubber insulators.

Step 3: With all components mounted loosely, adjust the system for overall aesthetics and clearance of frame & bodywork. (MAGNAFLOW recommends at least 1/2" of clearance between the exhaust system and any body panels to prevent heat-related body damage or fire.)

Step 4: Once a final position has been chosen for the new system, evenly tighten all fasteners from front to rear. The supplied band clamps must be VERY tight to ensure a proper seal. Inspect all fasteners after 25-50 miles of operation and retighten if necessary. Inspect all fasteners after 25-50 miles of operation and retighten if necessary from front to rear.

*MAGNAFLOW Performance Exhaust recommends professional installation on all their products

Technical support: 1-800-959-9226 ext. 4500

MAGNAFLOW Performance Exhaust - 22961 Arroyo Vista - Rancho Santa Margarita, CA 92688