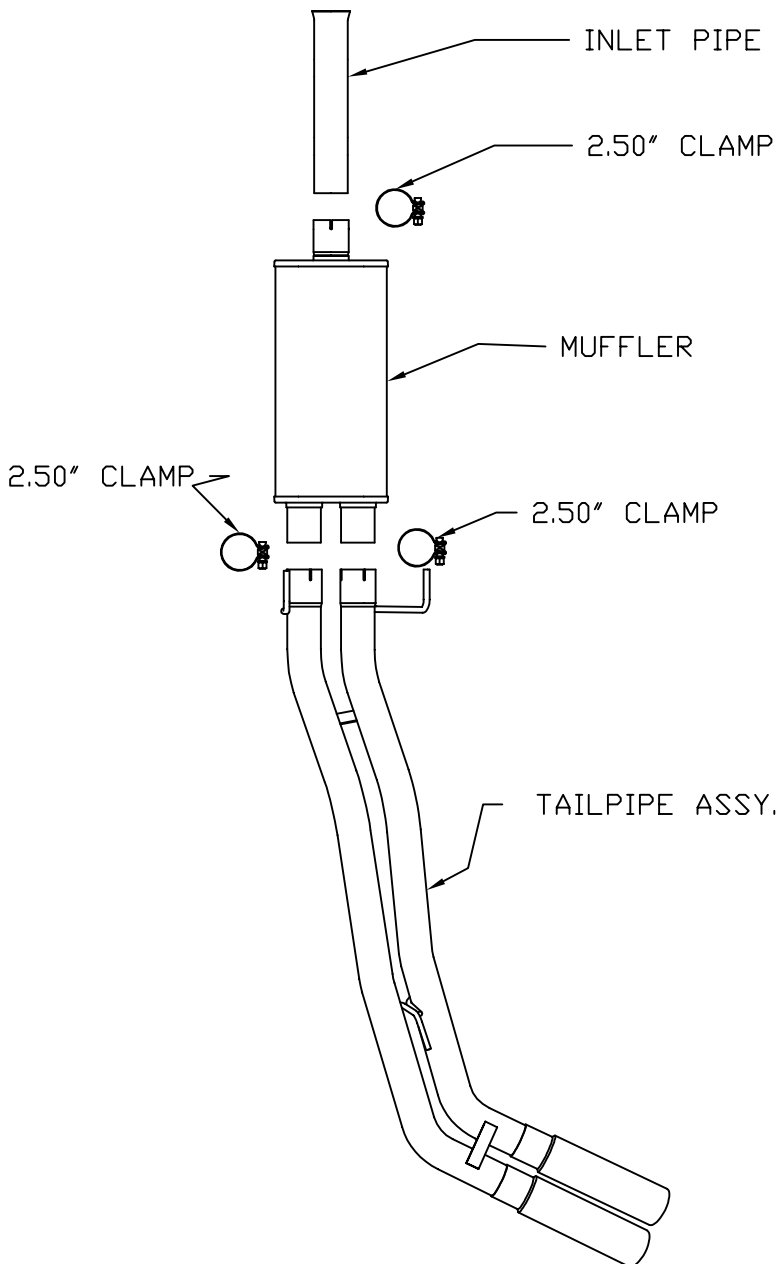


2000-2003 TOYOTA TUNDRA V6 3.4L/4.7L V8, CREWCAB SHORT BED (Dual Side Exhaust)



Warning: When working on, under, or around any vehicle exercise caution. Please allow the vehicle's exhaust system to cool before removal, as exhaust system temperatures may cause severe burns. If working without a lift, always consult vehicle manual for correct lifting specifications. Always wear safety glasses and ensure a safe work area. Serious injury or death could occur if safety measures are not followed.

Step 1: (Carefully read all instructions before installation) Remove the OEM exhaust system by unbolting the OEM clamps and by disengaging the welded hangers from the OEM rubber insulators. Do not discard the OEM fasteners, or damage the OEM rubber insulators, as they may be reused to mount new system.

Step 2: Begin installation of the new system at the catalytic converter connection. Install the Inlet Pipe using the OEM clamp and slide the Muffler on, with the supplied 2.50" Clamp. Leave all fasteners and clamps loose for final adjustment. Fit the welded hangers on the TailPipe Assy. into the OEM insulators. Next, slide the two 2.50" supplied clamps on the TailPipe Assy. and insert it into the Muffler. Again, leaving all fasteners and clamps loose for final adjustment

Step 3: With all components mounted loosely, adjust the system for overall aesthetics and clearance of frame & bodywork. (MAGNAFLOW recommends at least 1/2" of clearance between the exhaust system and any body panels to prevent heat-related body damage or fire.)

Step 4: Once a final position has been chosen for the new system, evenly tighten all fasteners from front to rear. Inspect all fasteners after 25-50 miles of operation and retighten if necessary.

*MAGNAFLOW Performance Exhaust recommends professional installation on all their products

Technical support: 1-800-959-9226 ext. 4500

MAGNAFLOW Performance Exhaust - 22961 Arroyo Vista - Rancho Santa Margarita, CA 92688