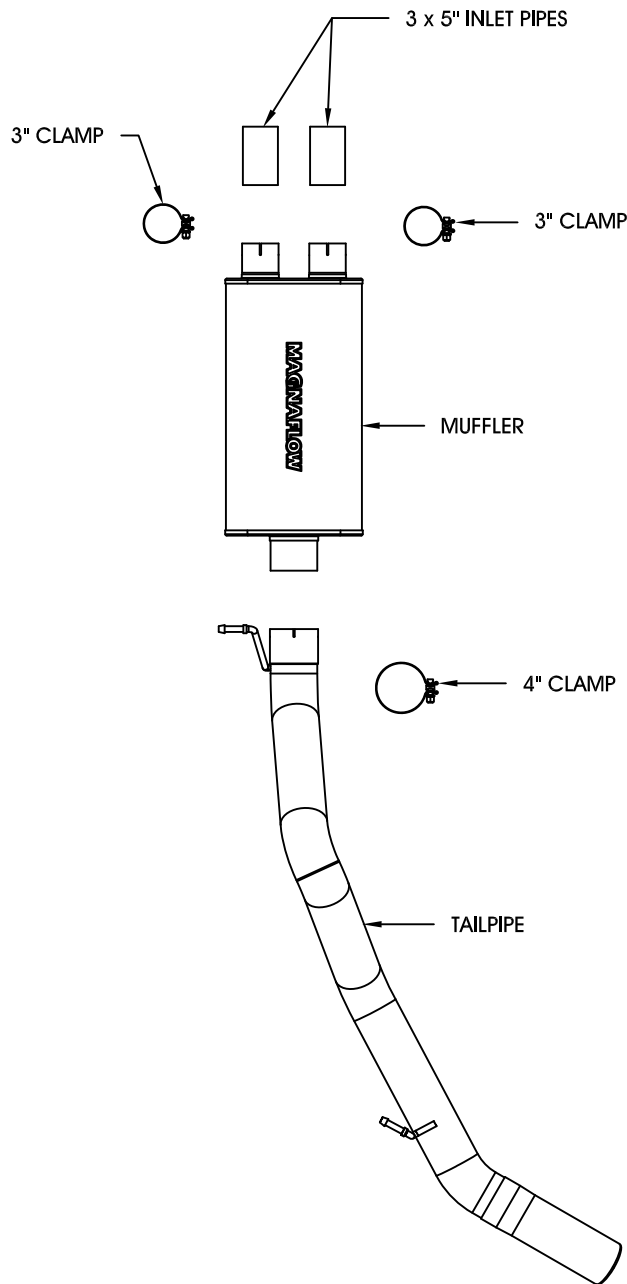


2000-2002 GM SILVERADO HEAVY DUTY - V8 6.0L, EXT. CAB SHORT BED



Warning: Professionally welded installation of this Magnaflow Performance exhaust system is required.

Warning: When working on under or around any vehicle exercise caution. Please allow the vehicle's exhaust system to cool before removal, as exhaust system temperatures may cause severe burns. If working without a lift, always consult vehicle manual for correct lifting specifications. Always wear safety glasses and ensure safe work area. Serious injury or death could occur if safety measures are not followed.

Step 1: (Carefully read all instructions before installation) To remove the OEM exhaust system, you will need to cut the muffler inlet pipes about 1" in front of the muffler. Disengage the welded hangers on the muffler and tailpipe from the OEM rubber insulators, taking care not to damage them, as they will be re-used to mount the new system. The muffler and tailpipe can be removed as one piece.

Step 2: Install the tailpipe by fitting the welded hangers into the OEM rubber insulators. Using the 3x5" inlet extensions and supplied clamps, fit the muffler in place. Leave all fasteners loose for final adjustment of the complete system. The inlet pipes should fit over the OEM exhaust system, and into the muffler inlets.

Step 3: With all components mounted loosely, adjust the system for overall aesthetics and clearance of frame & bodywork. (MAGNAFLOW recommends at least 1/2" of clearance between the exhaust system and any body panels to prevent heat-related body damage or fire.)

Step 4: Once a final position has been chosen for the new system, evenly tighten all fasteners from front to rear. The supplied band clamps need to be very tight to align the system and prevent leaks, approximately 40ft-lbs. The 3x5" inlet pipes can now be welded to the OEM exhaust system. It is also recommended to weld the inlet pipes and tailpipe to the muffler to complete the installation.

*MAGNAFLOW Performance Exhaust recommends professional installation on all their products

Technical support: 1-800-959-9226 ext. 4500

MAGNAFLOW Performance Exhaust - 22961 Arroyo Vista - Rancho Santa Margarita, CA 92688