



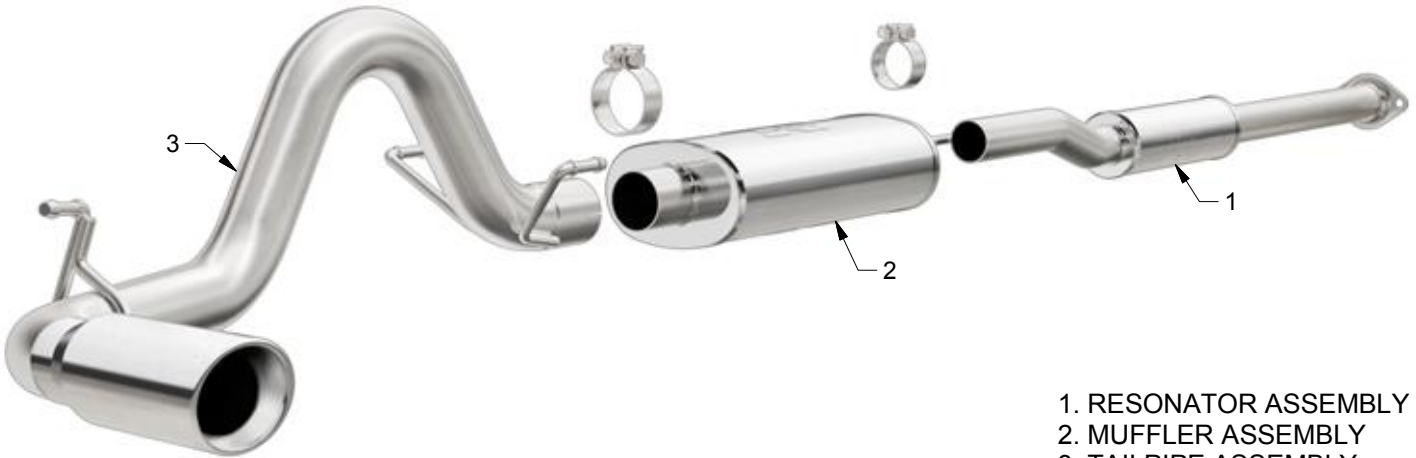
# INSTALLATION INSTRUCTIONS



2014 TOYOTA TACOMA 4.0L

PART NO. 15334

## BILL OF MATERIALS:



- 1. RESONATOR ASSEMBLY
- 2. MUFFLER ASSEMBLY
- 3. TAILPIPE ASSEMBLY



WEAR SAFETY GLASSES



READ INSTRUCTIONS THOROUGHLY BEFORE INSTALLING PRODUCT

## SHOP SUPPLIES:



SPRAY LUBRICANT

To ease removal of existing exhaust components (especially on older vehicles) spray penetrating lubricant on all fasteners and hangers/insulators that will be loosened or removed and let soak before disassembly.

## HARDWARE KIT:

- 1.[1] 2.50" Clamp
- 2.[1] 3.00" Clamp

## MINIMUM REQUIRED TOOLS:



15mm



Hanger Tool (Or Pry Bar)

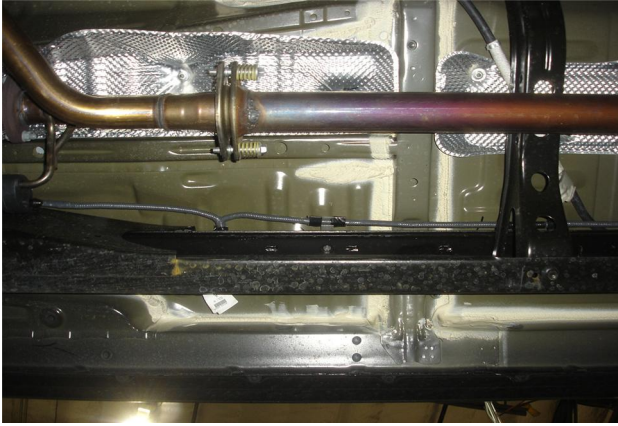
## MAGNAFLOW RECOMMENDS PROFESSIONAL INSTALLATION ON ALL THEIR PRODUCTS



**WARNING:** When working on, under, or around any vehicle exercise caution. Please allow the vehicle's exhaust system to cool before removal, as exhaust system temperatures may cause severe burns. If working without a lift always consult vehicle manual for correct lifting specifications. Always wear safety glasses and ensure a safe work area. Serious injury or death could occur if safety measures are not followed.

**ATTENTION:** Always install any supplied band or U-bolt clamps to the proper torque specifications of 40-45 ft-lbs for band clamps and 30-35 ft-lbs for U-bolt clamps. Over tightening will result in the clamp breaking and will NOT be warranted by MagnaFlow.

## INSTALLATION INSTRUCTIONS



**Step 1.** Begin removal of the OEM exhaust system by unbolting the two spring loaded bolts attaching the exhaust to the catalytic converter. Do not discard or damage the OEM fasteners or rubber insulators as they will be used to install the new system.



**Step 2.** Disengage hangers from rubber insulators and remove the OEM exhaust.



**Step 3.** Begin installation of your new MAGNAFLOW system by attaching the Resonator Assembly to the catalytic converter outlet using the OEM fasteners and insulator. Keep all fasteners and clamps loose until final adjustment.



**Step 4.** Next use the supplied 2.50" clamp to attach the Muffler Assembly to the Inlet Pipe. Finish by attaching the Tailpipe Assembly to the Muffler Assembly with the Supplied 3.00" clamp and fitting the hangers into the insulators.



**Step 5.** Once a final position has been chosen for the new exhaust system, evenly tighten all clamps from front to rear using the torque specifications on page one of the instructions. Inspect all fasteners after 25-50 miles of operation and re-tighten if necessary.