



Installation Instructions

Dodge Replacement Bumper

Product Number: S1050, S1150

Application: '03-'09 Dodge

Ram 2500-3500 Heavy Duty

SAFETY

Your safety and the safety of others is very important.

- In order to help you make informed decisions about safety, we have provided installation instructions and other information.
- These instructions alert you to potential hazards that could hurt you or others.
- Please do a job safety analysis (JSA) before each task to identify potential hazards for your situation and remove/protect against them.
- You must use your own good judgment, and take your time.

Read and understand all safety precautions and instructions before installing this product.

THIS PRODUCT IS FOR OFFROAD USE ONLY. ALL LIABILITY FOR INSTALLATION AND USE RESTS WITH THE OWNER.

CARELESS INSTALLATION AND OPERATION CAN RESULT IN SERIOUS INJURY OR EQUIPMENT DAMAGE.

INJURY HAZARD

Failure to observe these instructions could lead to severe injury or death.

- Always** remove jewelry and wear eye protection.
- Always** use extreme caution when jacking up a vehicle for work. Set emergency brake and use tire blocks. Locate and use the vehicle manufacturers designated lifting points. Use jack stands.
- Always** use appropriate and adequate care in lifting components into place.
- Always** insure components will remain secure during installation and operation.
- Always** wear safety glasses when installing this kit. A drilling operation will cause flying metal chips. Flying chips can cause serious eye injury.
- Always** use extreme caution when drilling on a vehicle. Thoroughly inspect the area to be drilled (on both sides of material) prior to drilling, and relocate any objects that may be damaged.
- Always** use extreme caution when cutting and trimming during fitting.
- Always** tighten all nuts and bolts securely per installation instructions.
- Always** route electrical cables carefully. Avoid moving parts, components that become hot and rough or sharp edges.
- Always** insulate and protect all exposed wiring and electrical terminals.
- Always** perform regular inspections and maintenance on mounts and related hardware.



Installation Instructions

Dodge Replacement Bumper

Product Number: S1050, S1150

Application: '03-'09 Dodge

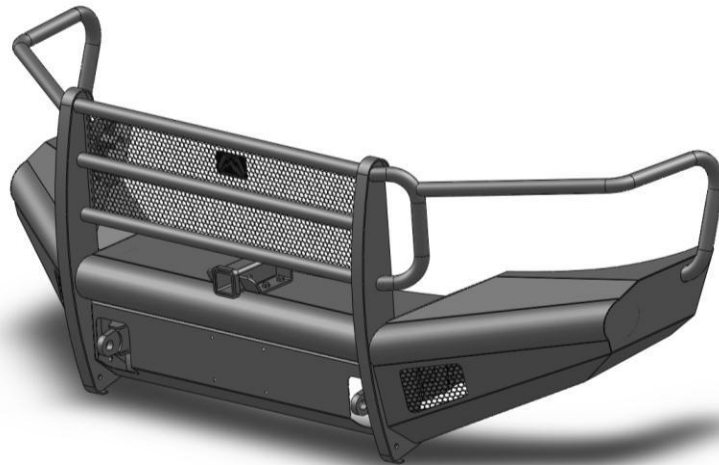
Ram 2500-3500 Heavy Duty

I. Overview

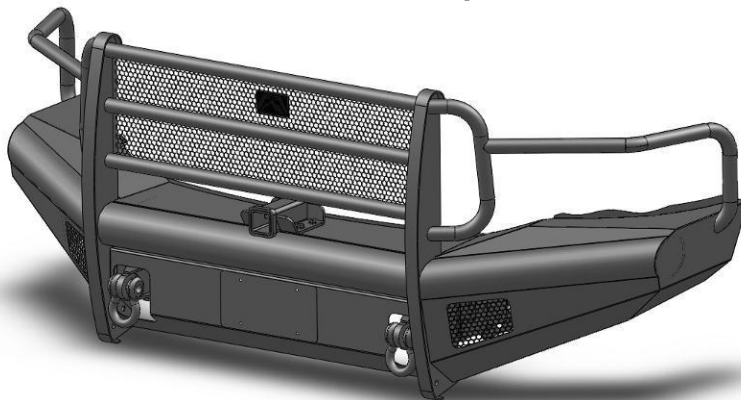
Congratulations on your new purchase of the industries' best and most stylish Dodge Bumper! This bumper has been **engineered** for strength while keeping the weight down.

Your bumper was designed in 3-D from digitized data, CNC laser cut, fabricated, and powder coated... all in the U.S.A.

Enjoy the fit and finish of a quality Dodge Replacement Bumper from Fab Fours Inc!



'06 - '09 Bumper



'03-'05 Bumper



Installation Instructions

Dodge Replacement Bumper

Product Number: S1050, S1150

Application: '03-'09 Dodge

Ram 2500-3500 Heavy Duty

II. Tools Required

- Electric Drill
- 9/16" Drill bit
- Socket Wrench With Extension
- 10mm or 13mm Socket (year dependent)
- 18mm Socket
- 3/4" Socket
- 3/4" Open End Wrench
- Center punch
- Hammer
- Tin Snips

III. Vehicle Preparation

1. Open hood.
2. Diesel Only: Remove two (10mm or 13mm) bolts holding top of intercooler to radiator support (Figure 1)

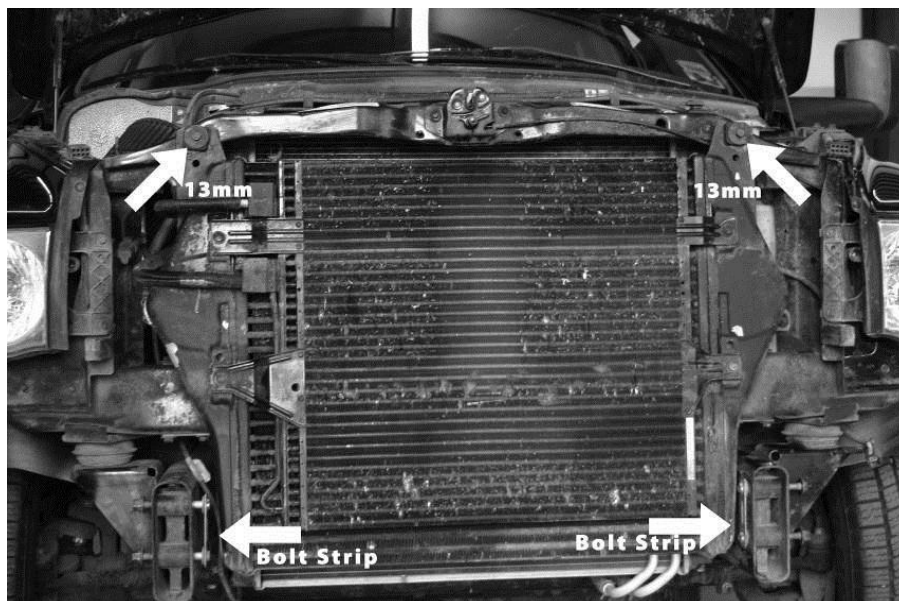


Figure 1 - BOLT STRIP AND INTERCOOLER MOUNT LOCATION

3. Disconnect fog light wiring harness located under the driver-side bumper.
4. Remove four 18mm nuts holding OEM bumper brackets to frame rails.
5. With the bumper weight supported, remove the bolt strips from the frame rails to allow removal of the OEM bumper.

NOTE: Diesel equipped vehicles require the intercooler to be moved to remove the bolt strips (Figure 2). Lift the intercooler up and forward to allow the bolt strip to be removed; be careful not to damage intercooler fins.

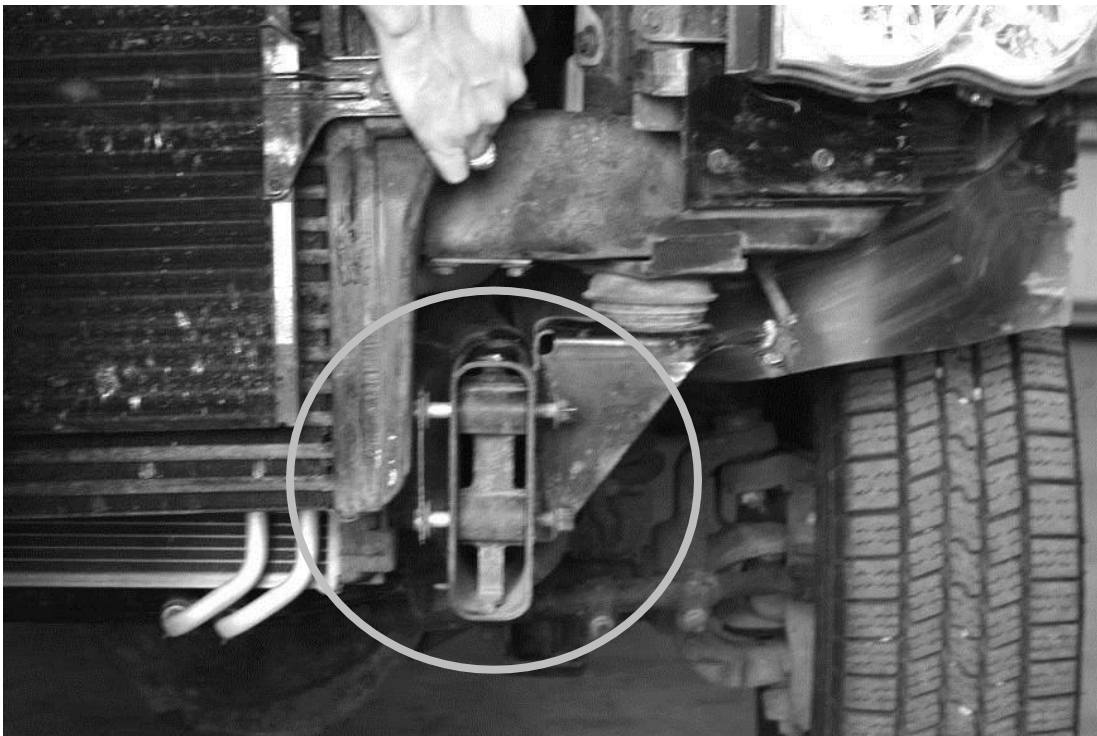


Figure 2 - BOLT STRIP / INTERCOOLER INTERFERENCE

6. Remove OEM bumper and set aside.
7. Re-install and tighten two bolts holding top of intercooler to radiator support (Figure 1); Follow factory torque specification.

NOTE: THE STEPS 8 TO 14 ARE ONLY REQUIRED IF YOUR BUMPER IS BEING INSTALLED WITH A 15,000LB OR GREATER CAPACITY WINCH

8. Install drilling template using the OEM bolt strip (Figure 3). **Note: From now on install the bolt strip from outside to in.**



Figure 3 - DRILLING TEMPLATE

9. Using a center punch mark the two holes toward the rear of the truck (Picture #3).
10. Carefully drill the marks out completely through the frame rail with the 9/16" drill bit. Insuring that you stay level in order to later match the slots on the mounting bracket. **NOTE:** as a precaution hold a piece of wood between the frame rail and the radiator to catch drill "punch thru".

11. Use a large screwdriver to pry the anti-crush spacer out of the front of the frame rail; it is not necessary to completely remove it from the frame:

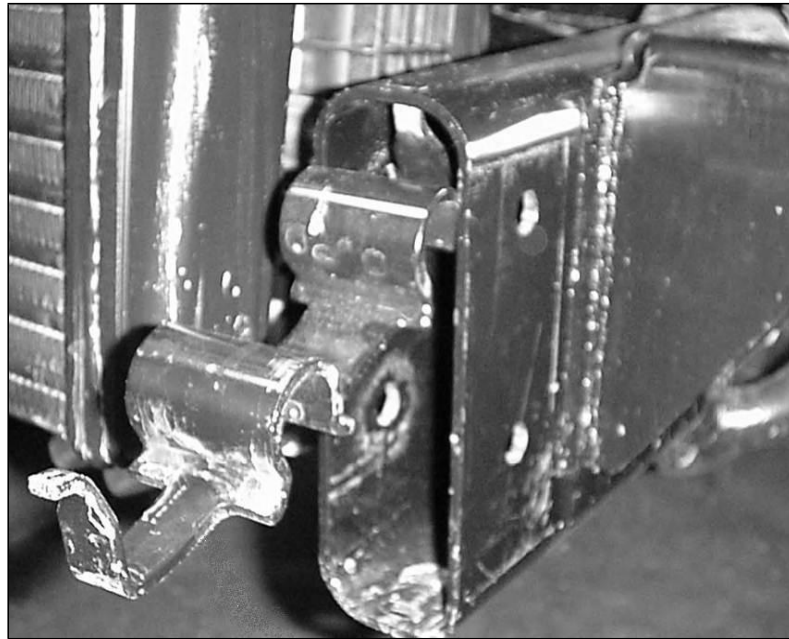


Figure 4 – CRUSH SLEVE MODIFICATION

12. Insert the provided U-shaped anti-crush spacers into the frame rail and line them up with the drilled holes.
13. Push the OEM anti-crush spacer back into the frame rail so it lines back up with the OEM bumper mounting holes.
14. Complete steps 8-13 for the opposite frame rail.



Installation Instructions

Dodge Replacement Bumper

Product Number: S1050, S1150

Application: '03-'09 Dodge

Ram 2500-3500 Heavy Duty

NOTE: The Following Installation steps apply to the installation of the Bumper to the vehicle. PLEASE READ THE ENTIRE MANUAL BEFORE ATEMPTING INSTALLATION! Ignoring these steps will increase your probability of scratching the vehicle during product Installation!

IV. Bumper Installation

1. Remove the Bumper from the shipping carton. Lay all items out on a blanket to prevent damage to the powder coating. Install lower guard (***IF INSTALLING A WINCH SEE WINCH TRAY INSTALLATION INSTRUCTIONS***) by rotating it into position from the bottom of the bumper as shown below. Install three ½" fasteners (Provided in hardware bag labeled 20260-HW) per side with bolt heads facing the inside of the bumper.

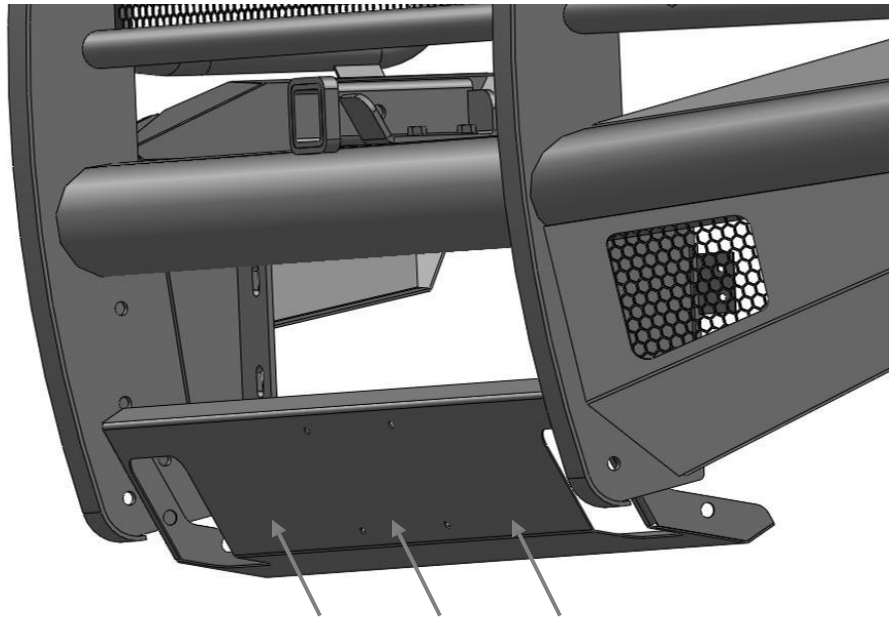


Figure 5 – LOWER GUARD INSTALLATION

2. **OPTIONAL:** If you wish to retain the stock fog lamps, remove the lights from the stock bumper and reinstall using OEM hardware in the provided brackets behind the protective mesh.

- 3. OPTIONAL:** If installing your bumper with D-ring shackle mounts, they should be placed inside the bumper mounting brackets before final installation. Insert the shackle mounts from the front of the bumper as shown below.

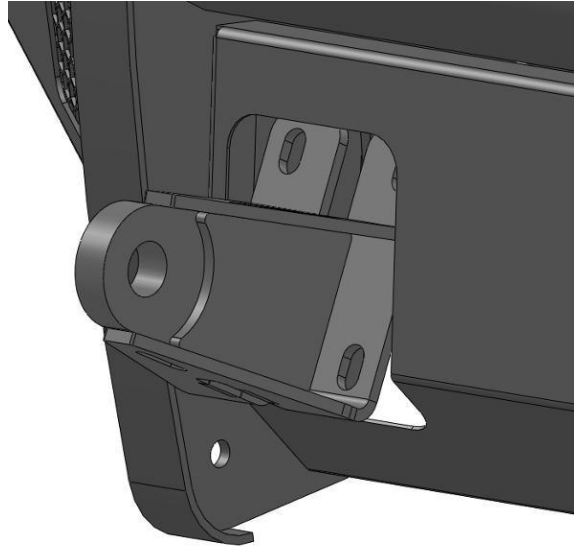


Figure 6 – SHACKLE BRACKET INSTALLATION

- 4. OPTIONAL:** If installing the 2" receiver hitch accessory, attach it to the bumper with the provided 1/2" hardware

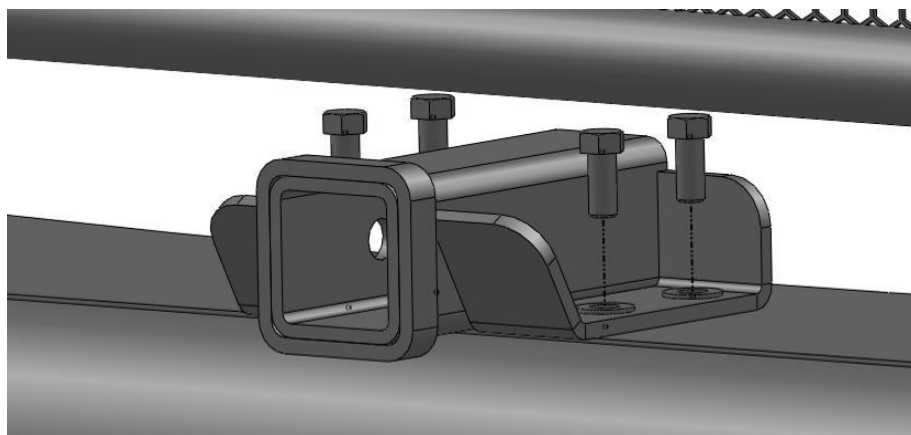


Figure 7 – HITCH INSTALLATION

5. Install intermediate brackets in the orientation shown below using the OEM mount locations. *DO NOT TIGHTEN UNTIL BUMPER ASSEMBLY HAS BEEN INSTALLED AND ALIGNED.*

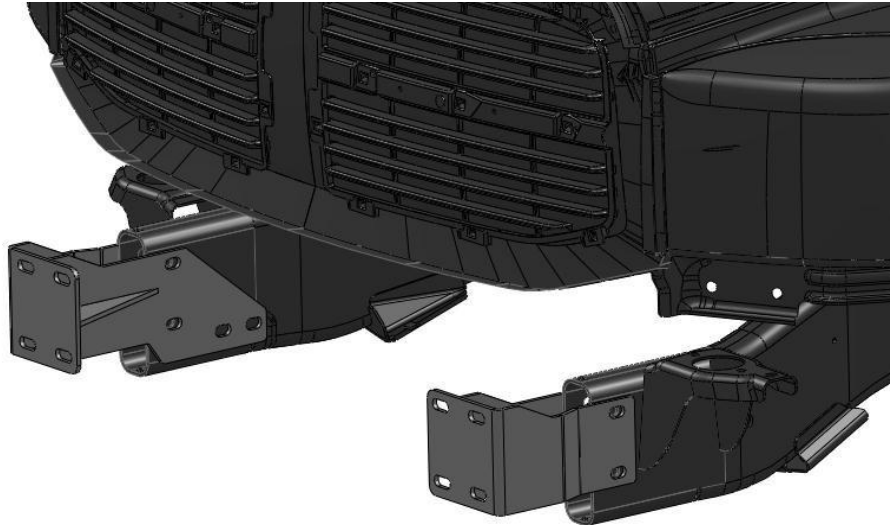


Figure 8 – INTERMEDIATE BRACKET ORIENTATION

6. Lift bumper and align mounting slots with the mating slots on the intermediate mounts. Install $\frac{1}{2}$ " mounting bolts but do not tighten fully. It may be helpful to support bumper with a floor jack(s) during install. Repeat for other side
7. Adjust the bumper to achieve good visual alignment:
 - a. Adjust in/out alignment and "castor" with mounting bracket to frame bolts.
 - b. Adjust up/down and left/right alignment with the intermediate mount bolts.
 - c. Tighten all fasteners; beginning with frame mounts. Then tighten all mount-to-bumper fasteners.
8. **OPTIONAL:** Trim inner-fender liners to match bumper if desired.



Installation Instructions

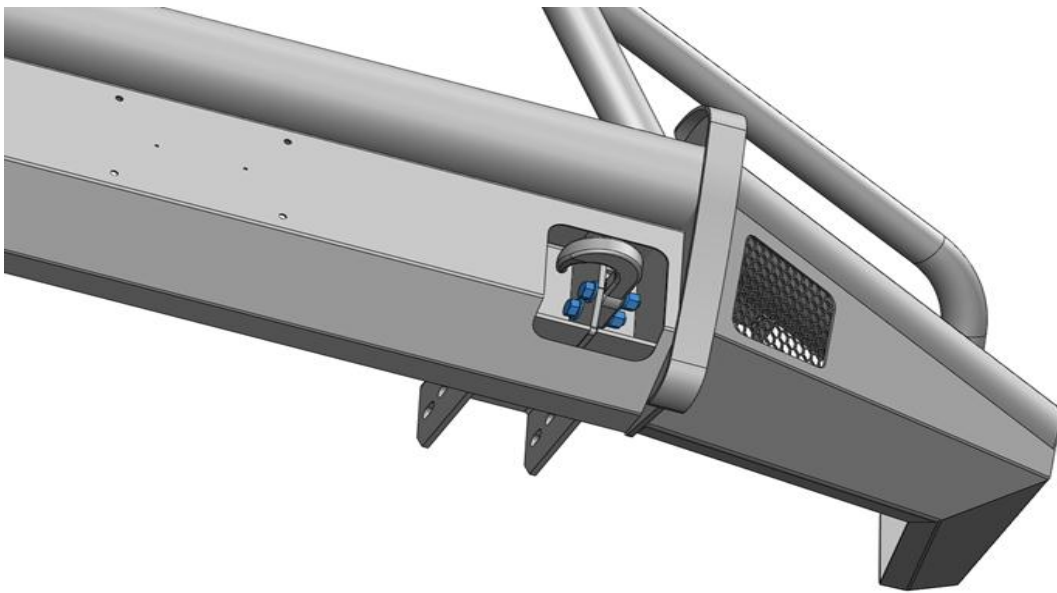
Dodge Replacement Bumper

Product Number: S1050, S1150

Application: '03-'09 Dodge

Ram 2500-3500 Heavy Duty

Install the Supplied Tow Hooks in the orientation shown below (Open to the inside and on the outside of the brace) using the supplied $\frac{1}{2}$ "-13 bolts, washers, and nuts.



Maintenance/Care

- Check for loose fasteners after the first 100mi of driving (less for severe duty applications)
- Periodically check and tighten all fasteners.
- Stripped, fractured, or bent bolts or nuts need to be replaced.

Contact Information

Fab Fours Inc.
1312 Camp Creek Rd.
Lancaster, SC 29720

Phone (866)-385-1905
Fax (866)-574-1423
Email Support@fabfours.com



More than expected... Better than expected