

TRUXPORT®

Another Fine Tonneau Cover by TruXedo

Owners & Installation Manual

READ INSTRUCTIONS - Failure to assemble cover properly will void warranty.

Damaged or missing parts?
Call **1-877-878-9336**
Mon - Fri 8 am - 5 pm CT
Parts will be shipped to you factory direct.
Do not return kit to place of purchase.



Specify length or make and model of vehicle to inquire about headers, cover, side rails, or bows.

Tools Required:
1/2" Socket
3/8" Drive Ratchet
Scissor

TruXedo, Inc.

P.O. Box 1078, 2209 Kellen Gross Dr., Yankton, South Dakota 57078
Call Toll Free: 1-877-TRUXEDO (1-877-878-9336) FAX: (605) 664-9304
Visit Us Online: <http://www.truxedo.com>

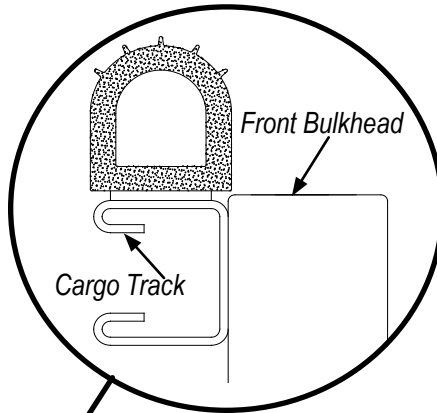
P/N 1117590 Rev B

1

Angle cut one end of seal before applying.



Apply seal across front metal cargo track.



Force angle cut end against side rail, then press down.



Angle cut other end of seal before applying.



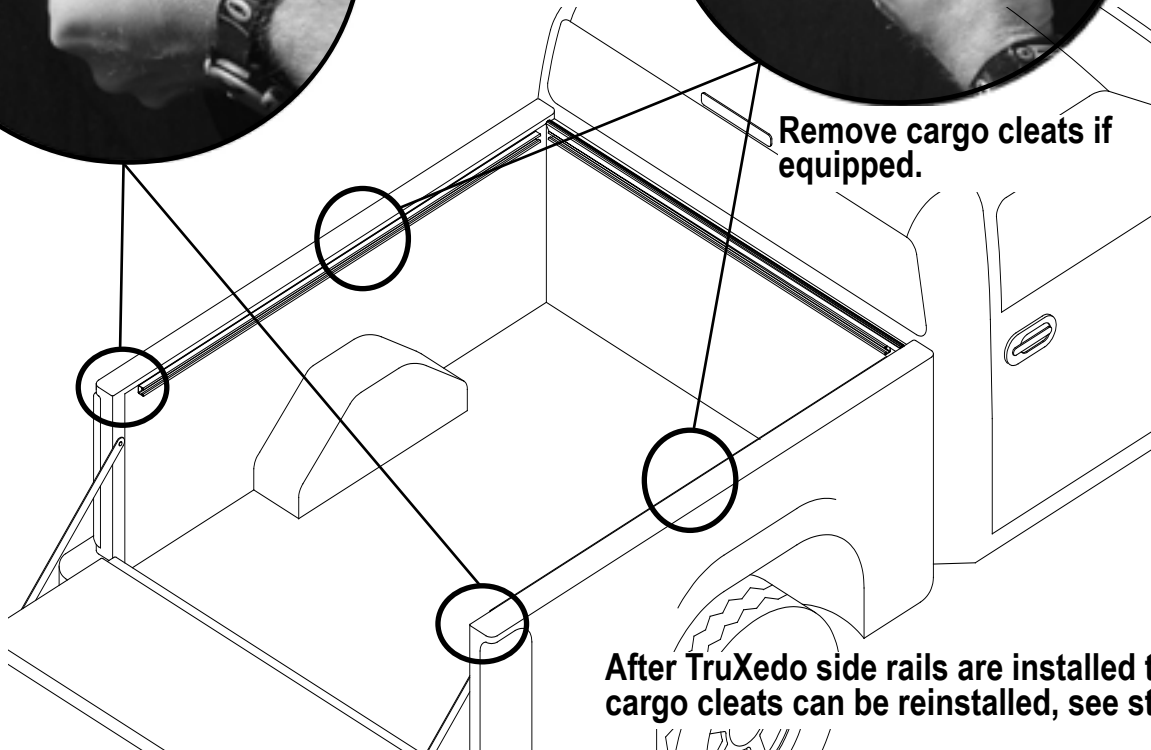
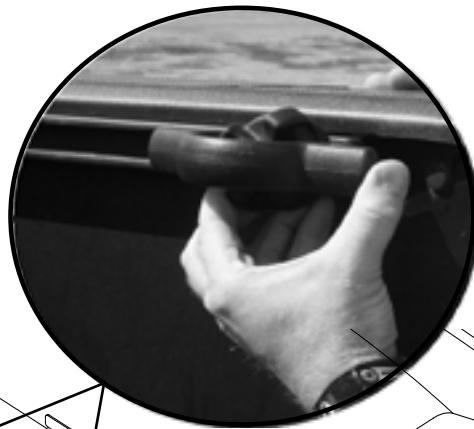
TruXedo, Inc.

P.O. Box 1078, 2209 Kellen Gross Dr., Yankton, South Dakota 57078
Call Toll Free: 1-877-TRUXEDO (1-877-878-9336) Fax: (605) 664-9304
Visit Us Online: <http://www.truxedo.com>

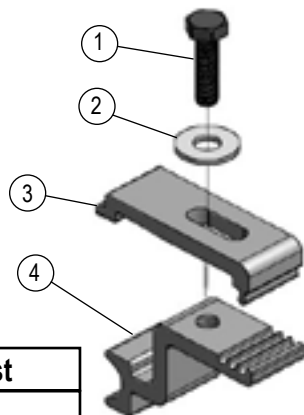


P/N 1117590 Rev B

2 Remove rear cargo plugs from cargo rails. Reinstall after TruXedo side rails are installed, see step 13.



3



Replacement Parts List

Item	Part #	Description
1.	1701208	Screw Hex HD_5/16-18 x 1 1/4
2.	1700428	Washer, 5/16"
3.	1704596	Clamp Half, Male
4.	1704595	Clamp Half, Female

4 Slide three female clamp halves (item 4) into the driver side and passenger side cargo rail.



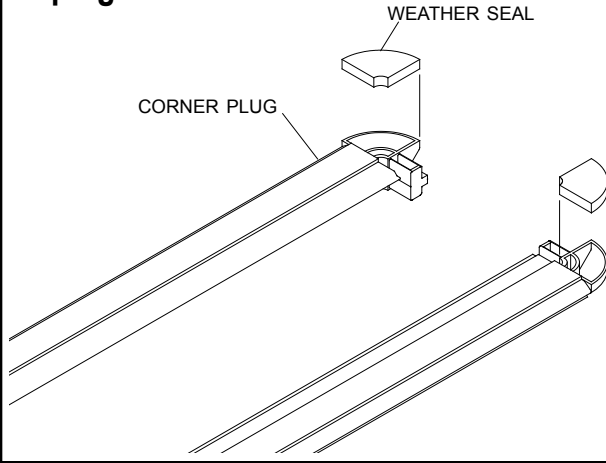
TruXedo, Inc.

P.O. Box 1078, 2209 Kellen Gross Dr., Yankton, South Dakota 57078
 Call Toll Free: 1-877-TRUXEDO (1-877-878-9336) Fax: (605) 664-9304
 Visit Us Online: <http://www.truxedo.com>

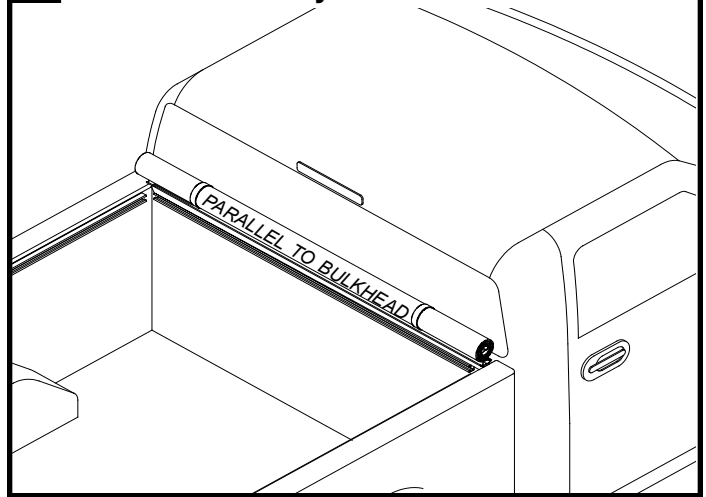


P/N 1117590 Rev B

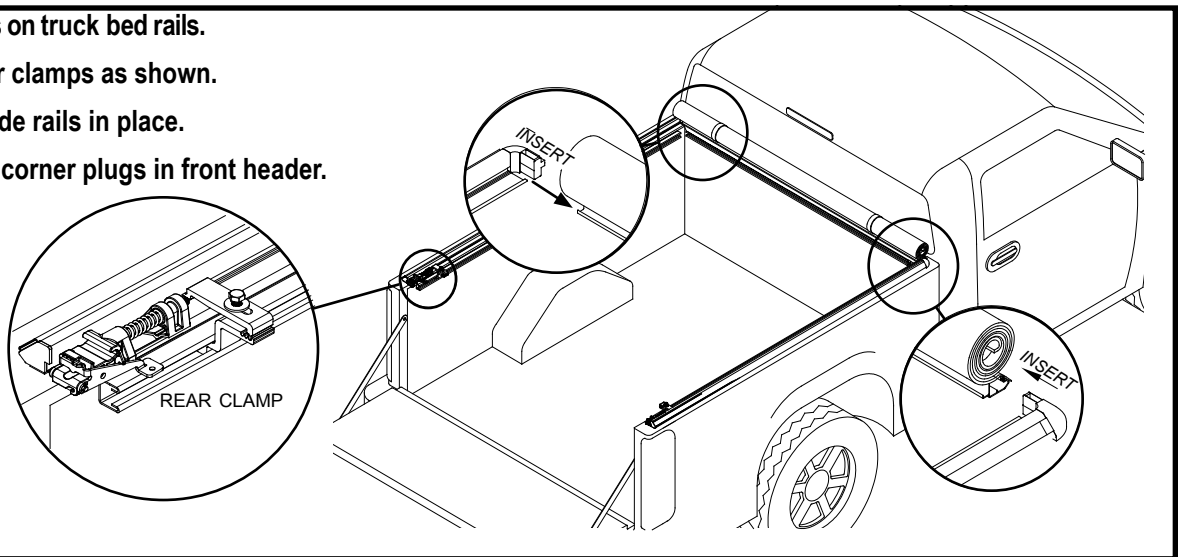
5 Install weather seal on cab end corner plugs:



6 Set cover assembly on front bulkhead:

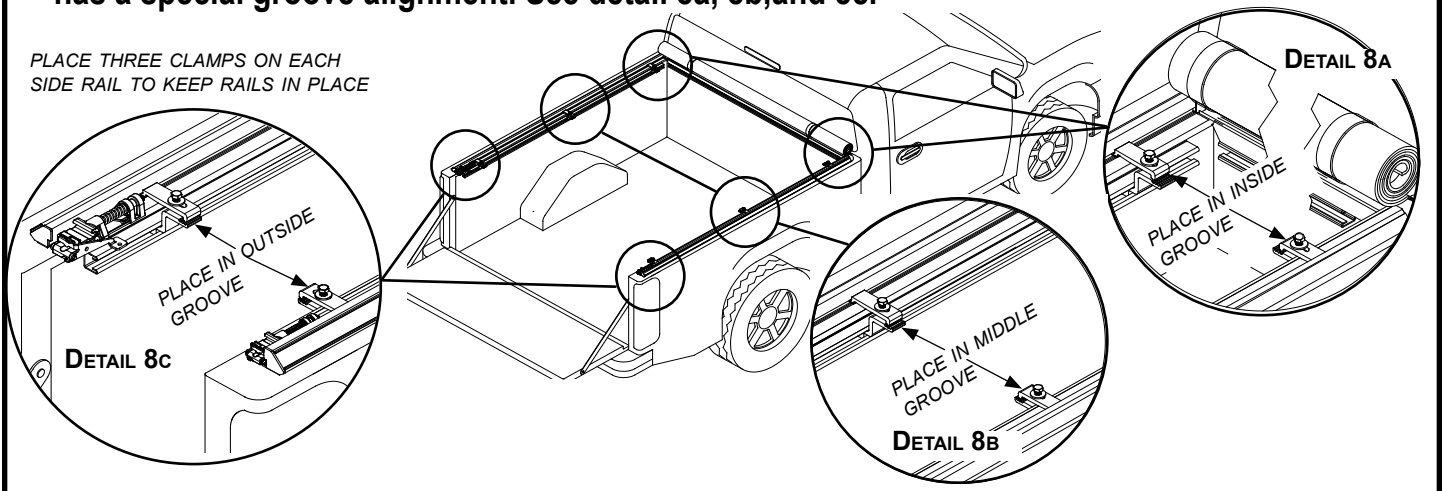


- 7**
- Place side rails on truck bed rails.
 - Assemble rear clamps as shown.
- This will hold side rails in place.
- Insert side rail corner plugs in front header.



8 Place remaining clamps. **Notice:** Each clamp assembly, starting at the front then to back, has a special groove alignment. See detail 8a, 8b, and 8c.

PLACE THREE CLAMPS ON EACH SIDE RAIL TO KEEP RAILS IN PLACE



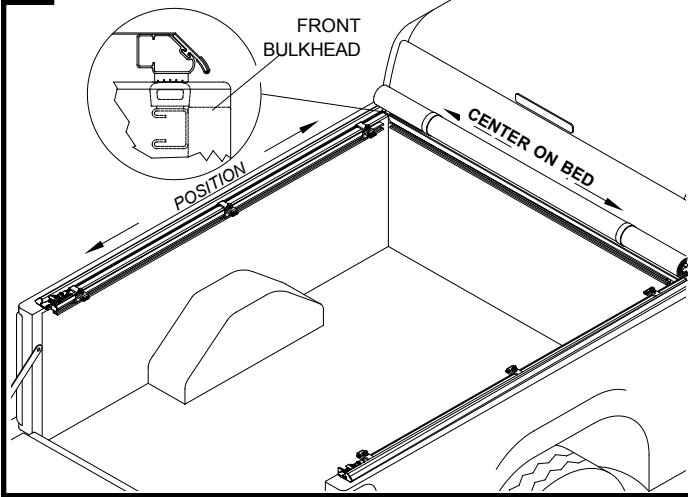
TruXedo, Inc.

P.O. Box 1078, 2209 Kellen Gross Dr., Yankton, South Dakota 57078
Call Toll Free: 1-877-TRUXEDO (1-877-878-9336) Fax: (605) 664-9304
Visit Us Online: <http://www.truxedo.com>

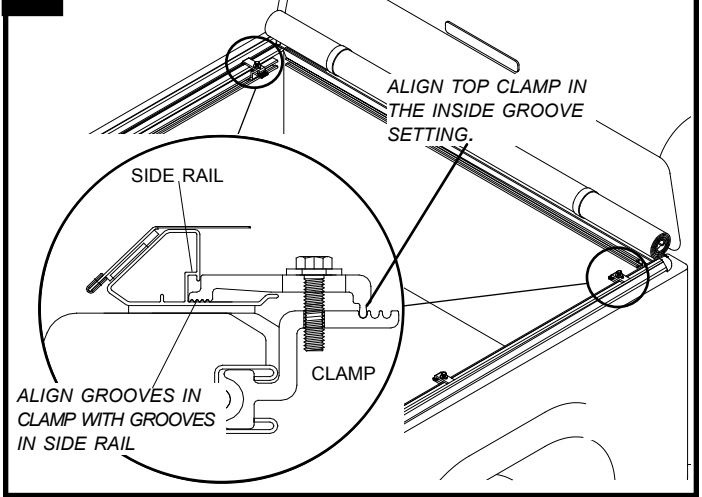
TRUXPORT
Weather-Proof Your Business. Cover by TruXedo.

P/N 1117590 Rev B

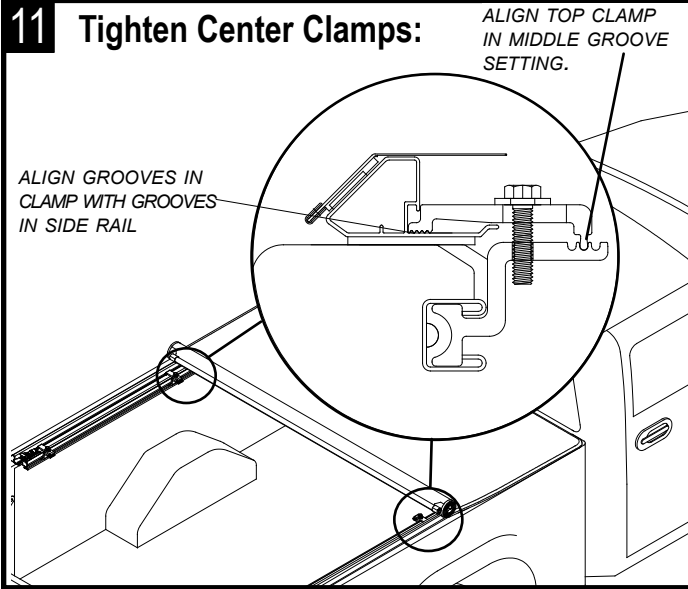
9 Align cover with pickup bed:



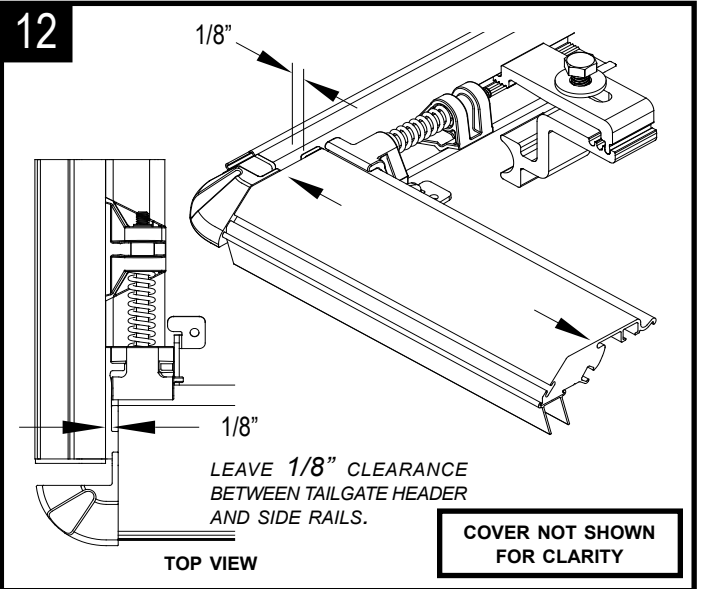
10 Tighten front clamps:



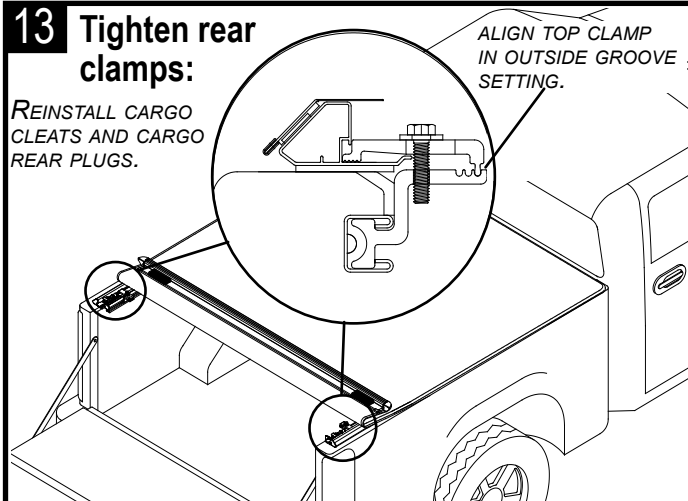
11 Tighten Center Clamps:



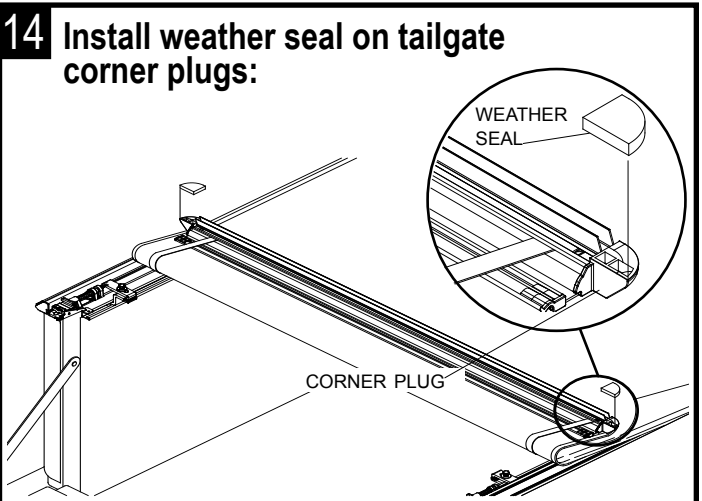
12



13 Tighten rear clamps:



14 Install weather seal on tailgate corner plugs:



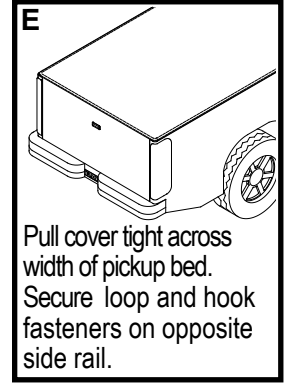
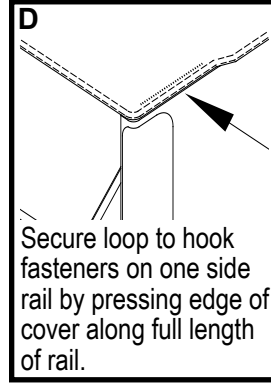
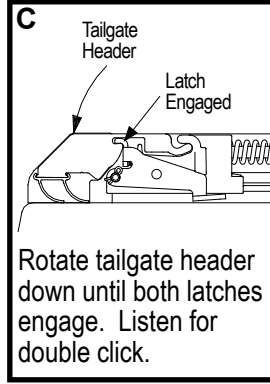
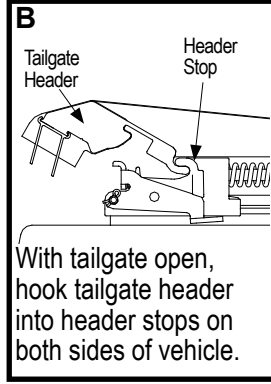
TruXedo, Inc.

P.O. Box 1078, 2209 Kellen Gross Dr., Yankton, South Dakota 57078
Call Toll Free: 1-877-TRUXEDO (1-877-878-9336) Fax: (605) 664-9304
Visit Us Online: <http://www.truxedo.com>

TRUXPORT
Weather Your Tonneau Cover To Endure

P/N 1117590 REV B

15 Close cover:



- To prevent accidental release of tailgate header, ensure header is securely latched to side rails on both sides of pickup bed before driving vehicle.
- To prevent wind lift, secure loop and hook fasteners along entire length of both side rails before driving vehicle.

16 Cover tension:

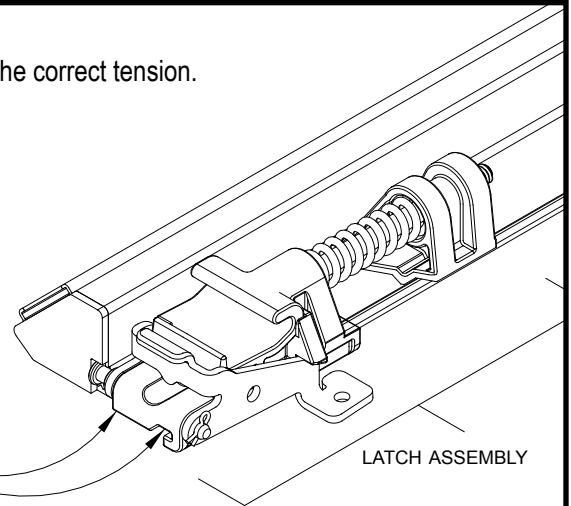
There is no need to adjust cover length tension. The latch assembly is set to the correct tension.
Any modification done to this will VOID warranty.

Keeping cover tight:

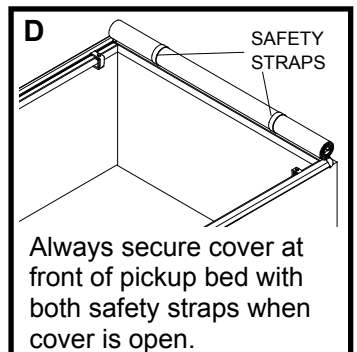
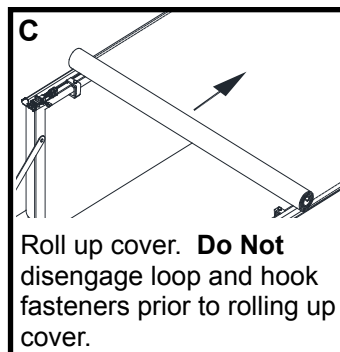
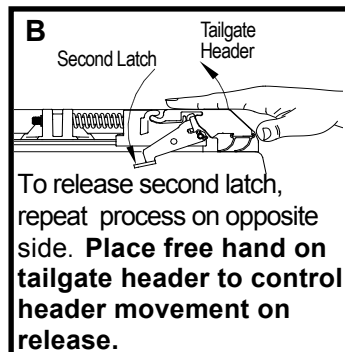
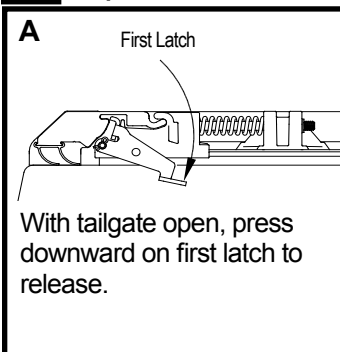
Periodically or as needed, pull cover tight across width of pickup bed, secure loop and hook on side rails.

For ease of operation, periodically clean with high pressure water to remove dirt and dust.

Cover may appear loose or relaxed in cooler or cold conditions.
Cover may appear tight in warmer or hot conditions.



17 Open cover:



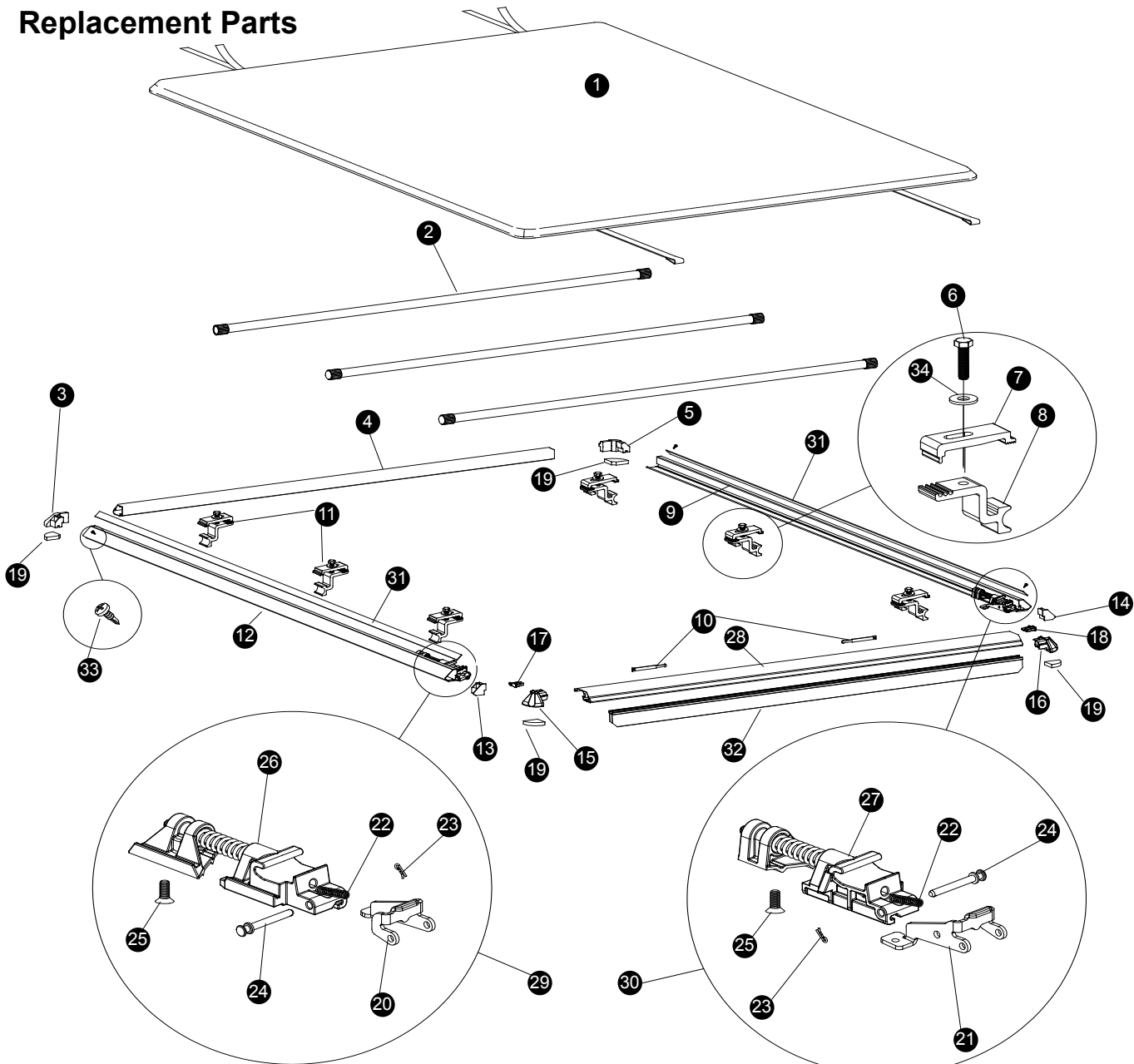
TruXedo, Inc.

P.O. Box 1078, 2209 Kellen Gross Dr., Yankton, South Dakota 57078
Call Toll Free: 1-877-TRUXEDO (1-877-878-9336) Fax: (605) 664-9304
Visit Us Online: <http://www.truxedo.com>

TRU X PORT
Cover Your Business. Exceed Your Expectations.

P/N 1117590 REV B

Replacement Parts



1	*	Truxport® Cover	18	1704537	Small Rear Header End Plug Pass.
2	*	Bow	19	1703568	Four Corners Weather Seal
3	1703558	Corner Plug	20	1704748	Latch Driver Side
4	*	Cab End Header	21	1704749	Latch Passenger side.
5	1703557	Corner Plug	22	1704530	Compression Spring
6	1701208	Cap Screw, 5/16" x 1 1/4"	23	1704533	Hitch Pin
7	1704596	Male Clamp	24	1704890	Double Head Clevis Pin
8	1704595	Female Clamp	25	1703560	Flat Head Cap Screw
9	*	Passenger's Side Rail	26	1704562	Latch Plunger Pre-Assy Driver Side
10	1116028	Safety Clips	27	1704563	Latch Plunger Pre-Assy Passenger Side
11	1704597	Clamp Assembly	28	*	Tailgate Header
12	*	Driver's Side Rail	29	1704573	Complete Latch Assy, Driver Side
13	1703569	End Plug, Driver Side	30	1703724	Complete Latch, Passenger Side
14	1703570	End Plug, Pass. Side	31	*	Hook Fastener
15	1704534	Large Rear Header Eng Plug Driver Side	32	*	Rear Header Seal
16	1704535	Large Rear Header End Plug Pass. Side	33	1703690	Self-Drilling Screw, #6 X 3/8"
17	1704536	Small Rear Header End Plug Driver side	34	1700428	washer 5/16"

* Please specify length or make and model of vehicle.

TruXedo, Inc.

P.O. Box 1078, 2209 Kellen Gross Dr., Yankton, South Dakota 57078
 Call Toll Free: 1-877-TRUXEDO (1-877-878-9336) Fax: (605) 664-9304
 Visit Us Online: <http://www.truxedo.com>



P/N 1117590 REV B

FIVE YEAR WARRANTY

TruXedo, Inc. warrants that all new, unused products are free from defects in material and workmanship. This Five Year Limited Warranty is effective if the product is properly installed and used for the purpose intended. It applies to the original buyer only. TruXedo's obligation under this Warranty is limited to repairing, or at its option, replacing any part that is returned, transportation prepaid, to TruXedo, Inc., Yankton, South Dakota, if the product is, in our judgment, defective. All materials must be accompanied by an RMA (Returned Material Authorization) number requested by and authorized in advance of returning the materials. TruXedo, Inc. shall not be liable or responsible to supply or pay labor to replace any part found defective, nor shall it be liable for any damages of any kind or nature to person, product, or property.

There are no Warranties for used products or products that have been repaired, altered, modified, subjected to misuse, negligence, accident or ordinary wear and tear.

TruXedo, Inc. products are sold without any express warranty except as set forth above. TruXedo, Inc. is not obligated to honor warranty claims if Genuine TruXedo, Inc. parts are not utilized.

DIRECT ALL WARRANTY CLAIMS TO TRUXEDO, INC. AT 1-877-878-9336



WARNING

Tighten clamps securely on side rails before driving vehicle, to prevent cover from blowing off.

SAFETY INSTRUCTIONS

1. Do not place objects on or against cover or framework.
2. Do not tie cargo to TruXport framework.
3. **Never** allow children or pets to occupy pickup box while cover is closed.
4. Cover is not airtight. Special care is required to keep cargo clean and dry.
5. Fabric cover won't prevent theft of contents inside truck box.
6. Cover must be rolled fully open and secured with safety straps when towing vehicle backwards.
7. Opened cover must be secured with both safety straps when driving vehicle.

OWNER/USER RESPONSIBILITIES

It is the responsibility of the owner/user to read this manual and comply with the operating procedures. The owner/user is also responsible for inspecting their TruXport® cover, and for having parts repaired or replaced when worn or damaged.

Failure to follow safety instructions and warning labels could result in failure of your cover system and/or personal injury.

MESSAGES TO INSTALLER

- Always wear safety glasses and/or other necessary protective equipment when installing your TruXport®.
- These instructions are complete for most pickup models. Additional instructions are included, if required for your pickup. Please read entire manual before installing your TruXport®.

COVER MAINTENANCE

Vinyl cover can be hand washed with mild soap and water or cleaned in a car wash. Thoroughly rinse cover to remove any soap residue. Cover can be treated with any vinyl protectant made for tonneau covers.

Never use silicon, petroleum, or citrus based products on your tonneau cover.

Questions?

Call our friendly customer service staff at TruXedo, Inc. Toll Free:

1-877-878-9336

Mon - Fri 8 am - 5 pm CT

Register online at www.truxport.com or mail this form to: TruXedo, P.O. Box 1078, Yankton, SD 57078-1078

Name: _____

Address: _____

City: _____ State: _____ Zip: _____

Phone Number: _____

Email Address: _____

Date Purchased: _____

Price Paid: _____

Dealer Name: _____

Pickup Make: _____

Model: _____

Year: _____

Product Purchased:

TruXedo Lo Pro QT

TruXedo Deuce

TruXport

TonneauTraX

Edge

TruXedo, Inc.

P.O. Box 1078, 2209 Kellen Gross Dr., Yankton, South Dakota 57078

Call Toll Free: 1-877-TRUXEDO (1-877-878-9336) Fax: (605) 664-9304

Visit Us Online: <http://www.truxedo.com>



P/N 1117590 REV B