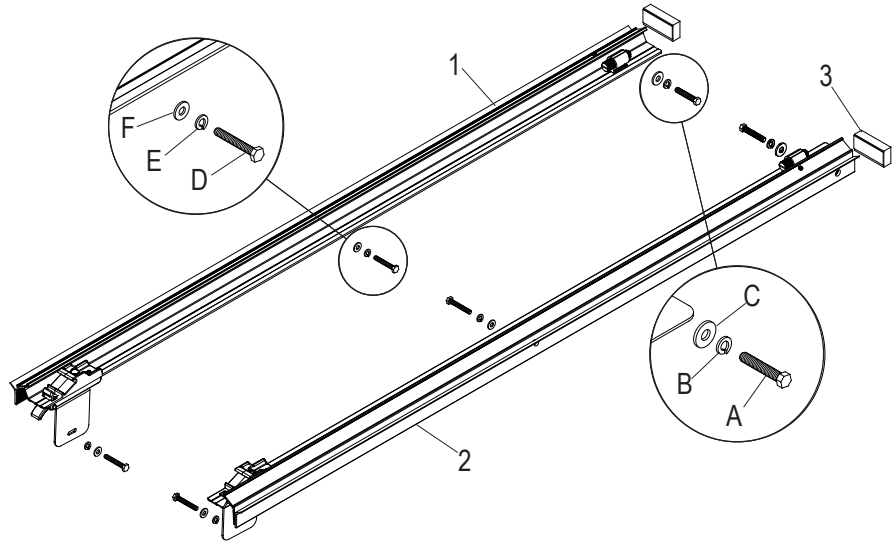


HONDA RIDGELINE TRUXEDO LO PRO INSTRUCTIONS

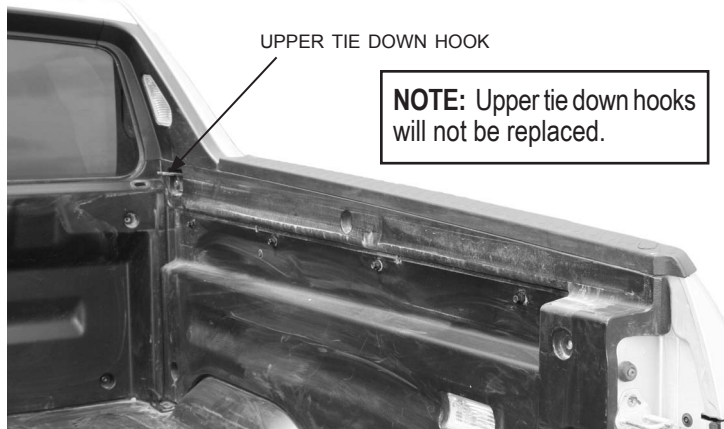
Item	Part #	Description
1.		Side Rail, Driver's Side
2.		Side Rail, Passenger's Side
3.	1116264	Side Rail Top Gap Seal, 2 5/8"
A.	1703769	Cap Screw, M8 x 1.25 x 45 mm
B.	1700433	Lock Washer, 5/16"
C.	1700428	Flat Washer, 5/16"
D.	1703770	Cap Screw, M6 x 1 x 45mm
E.	1700436	Lock Washer, 1/4"
F.	1700427	Flat Washer, 1/4"



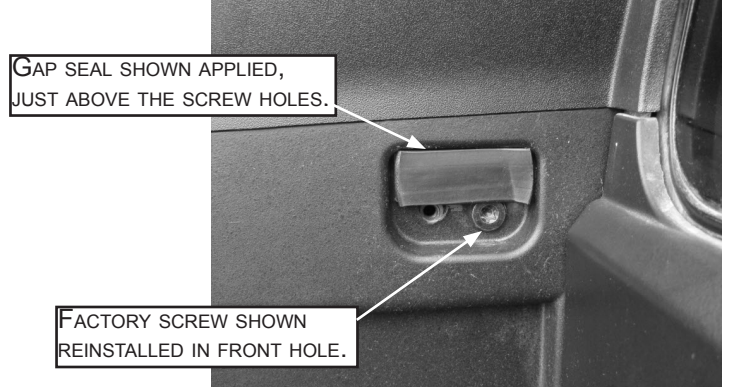
TOOLS NEEDED:

- T-50 Torx
- T-40 Torx
- Flat Head Screw Driver
- 3/8" or 1/4" Ratchet
- 10 mm Socket /13 mm Socket
- 3" Extension for 3/8" or 1/4" Ratchet
- 10 mm Box End Wrench

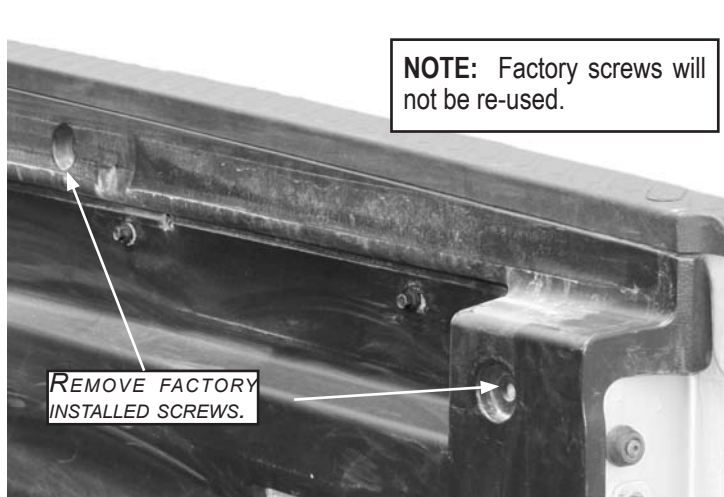
STEP 1: Using a T-50 torx wrench, remove upper tie down hooks located near the cab on both driver's and passenger's sides of truck bed.



STEP 2: Immediately replace existing factory screws in front holes only. See diagram below for reference. Next apply the gap seal (item 3) as shown. Step two will be done to both driver and passenger side.



STEP 3: Using a T-40 torx wrench, remove factory installed M6 fasteners.



STEP 4: Fasten passenger's side rail to inside of pickup bed with M6 screws **D**, lock washers **E**, and flat washers **F**, in locations shown.



By TruXedo, Inc.




P.O. Box 1078, 2209 Kellen Gross Dr., Yankton, SD 57078

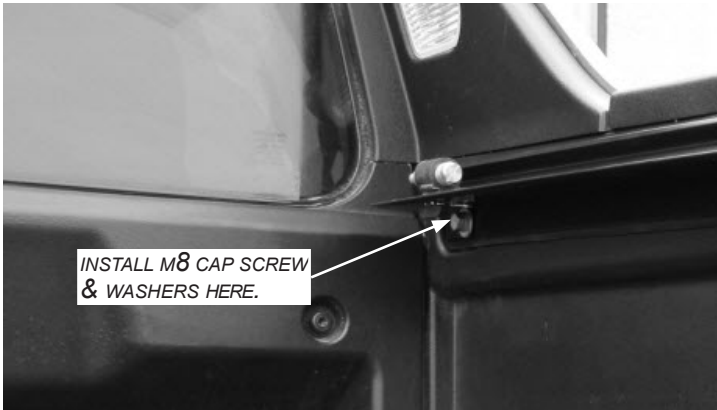
Phone: 877-878-9336 • Fax: (605) 664-9304 www.truxedo.com

TRUXEDO
Lo-Profile
Patented

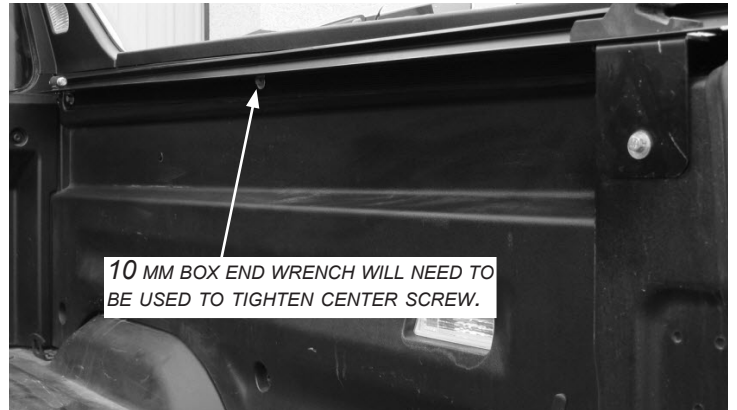
P/N 1117556 Rev. A

HONDA RIDGELINE TRUXEDO LO PRO INSTRUCTIONS

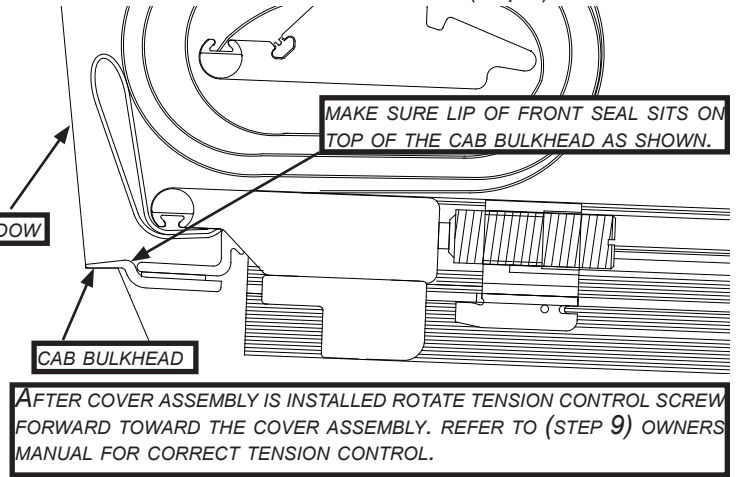
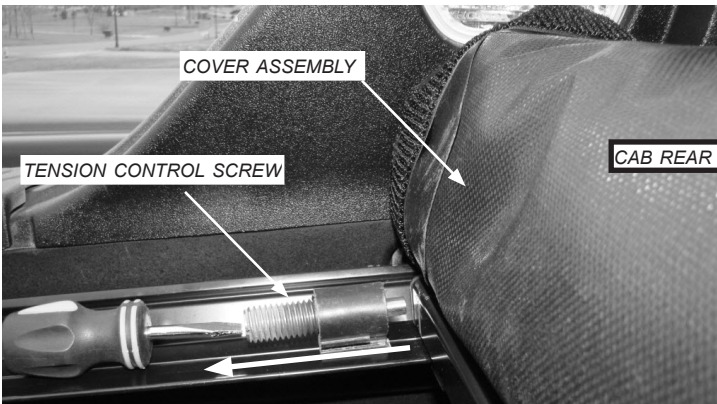
STEP 5: Install M8 screw , lock washer , and flat washer  in location shown.



STEP 6: Tighten all fasteners. Repeat steps 1-5 on driver's side.



STEP 7: Next install the cover assembly at the cab end of truck. For easier cover assembly installation take a flat head screw driver and rotate tension control screw away from cover assembly. Do this on both sides. Refer to owners manual (step 4) for how header guides function.



STEP 8: Seal front corners: Roll cover partially to the rear. inspect the front seal and make sure it is sitting on the front cab bulkhead. Arrange the front seal so that it seals the front corners.

STEP 9: Open and close cover, to adjust cover side to side fit. Use supplied loops to lift and adjust cover.



STEP 10: Latch release.



By TruXedo, Inc.
P.O. Box 1078, 2209 Kellen Gross Dr., Yankton, SD 57078
Phone: 877-878-9336 • Fax: (605) 664-9304 www.truxedo.com

TRUXEDO
Lo-Profile
Patented