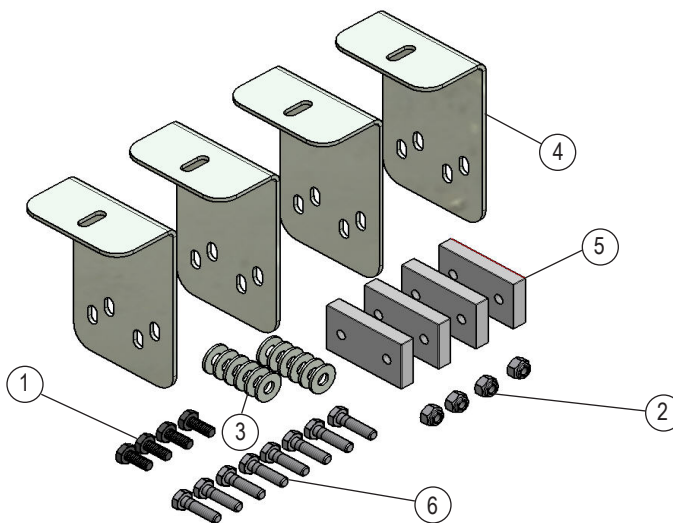


NOTICE

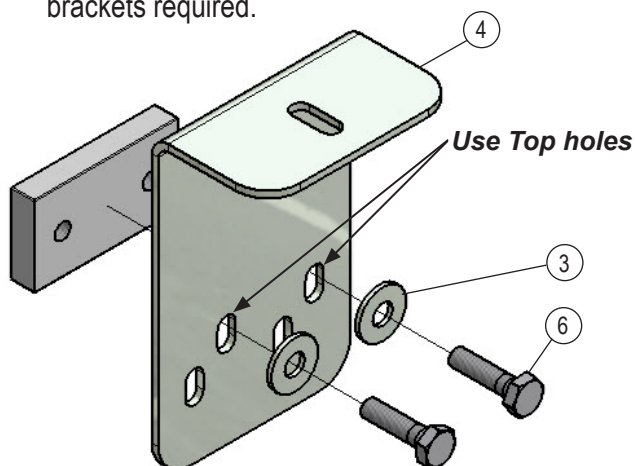
ASSEMBLY OF HUMMER HT3 COVER TO TRUCK

Replacement Parts List

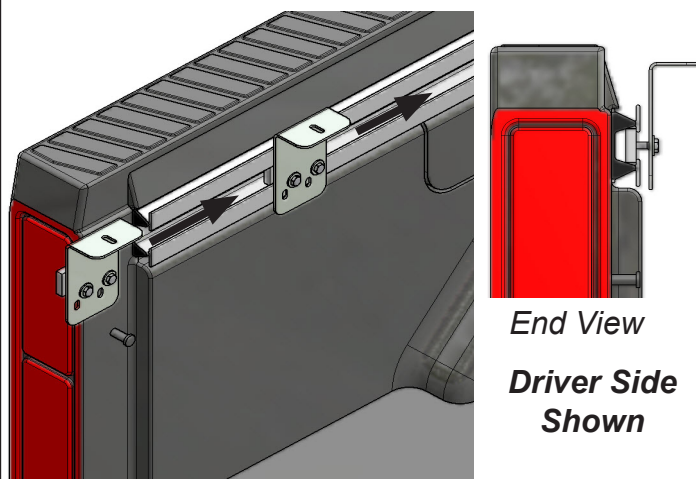
Item	Part #	Description
1.	1703852	Screw Hex HD_1/4-20 x 5/8
2.	1701543	Nut Nylon Lock 1/4-20
3.	1700427	Washer, 1/4"
4.	1704434	Side Rail Bracket_Hummer HT3
5.	1704437	Block Insert Threaded_Hummer
6.	1700381	Screw Hex HD_1/4-20 x 1



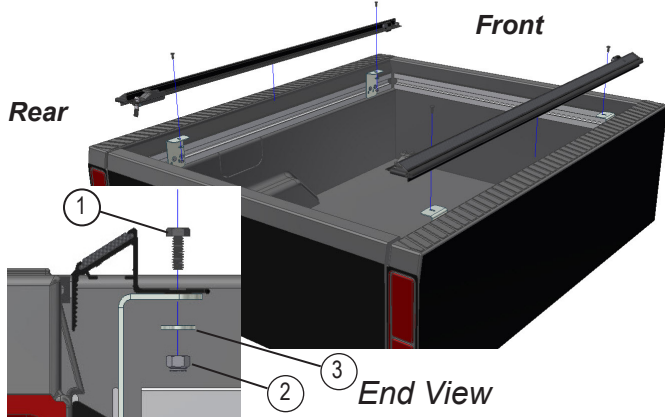
STEP 1. Assemble hardware as shown. Four assembled brackets required.



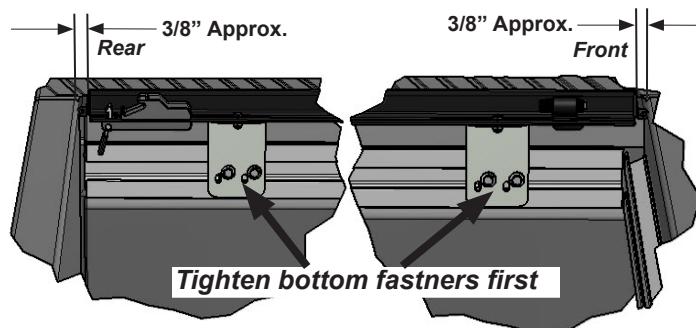
STEP 2. Slide assembled brackets into cargo rail. Two assembled brackets required per side.



STEP 3. Attach the Lo Pro side rails to the assembled brackets that were just installed in the cargo rail.



STEP 4. Center the rails front to rear and then tighten all fasteners starting with the bottom fasteners then the top. Do the same on the passenger side.



Refer to the owners manual for final installation.

TruXedo, Inc.

P.O. Box 1078, 2209 Kellen Gross Dr., Yankton, South Dakota 57078

Call Toll Free: 1-877-TRUXEDO (1-877-878-9336) Fax: (605) 664-9304 Visit Us Online: <http://www.truxedo.com>

TRUXEDO