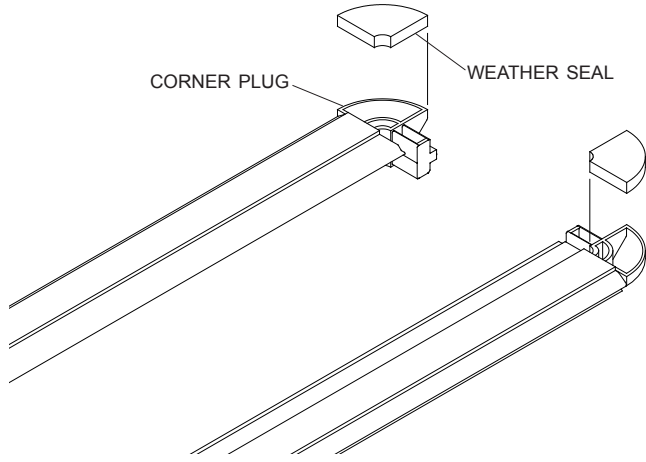
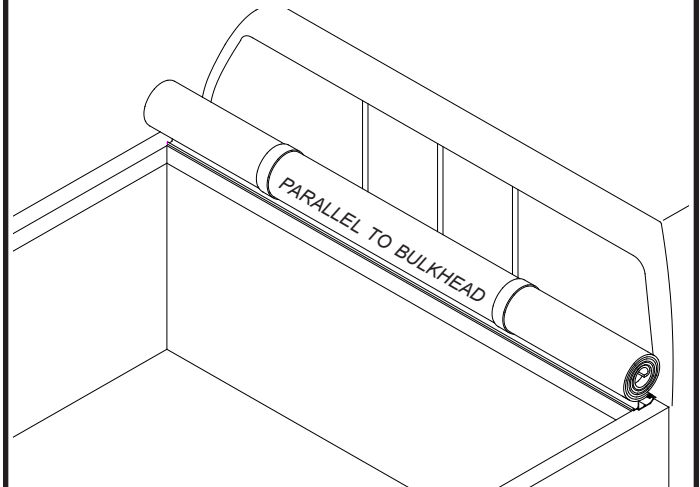


# FORD F150 W/FACTORY CARGO RAILS SPECIAL INSTRUCTIONS

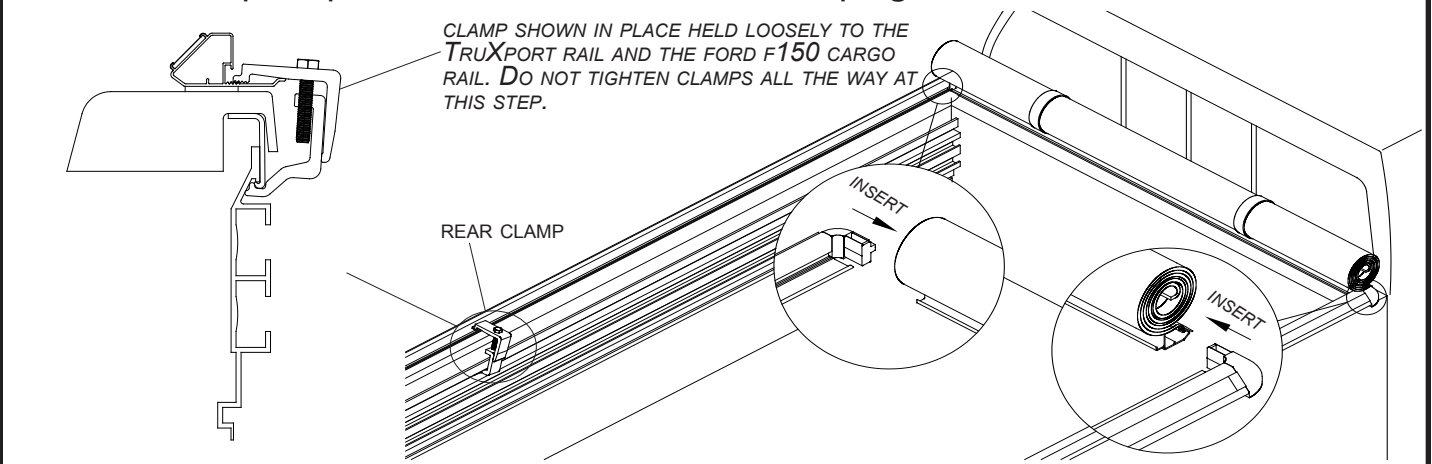
**1** Install weather seal on cab end corner plugs:



**2** Set cover assembly on front bulkhead:



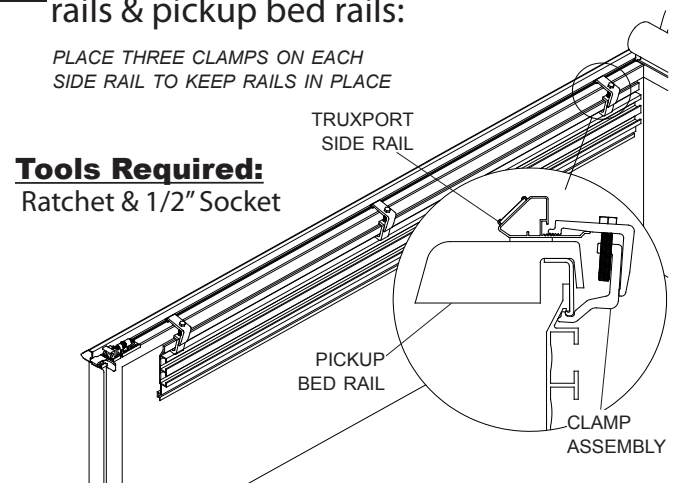
**3** Place side rails on pickup bed rails. Assemble clamps. Place rear clamps loosely over side rails & pickup bed rails. Insert side rail corner plugs into header:



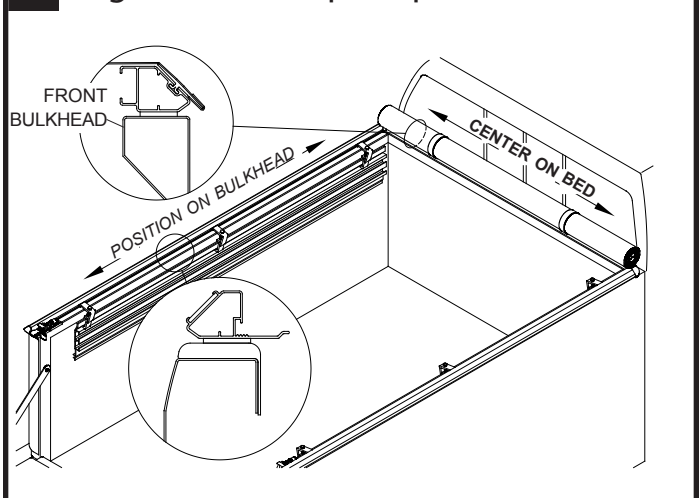
**4** Place remaining clamps loosely over side rails & pickup bed rails:

PLACE THREE CLAMPS ON EACH SIDE RAIL TO KEEP RAILS IN PLACE

**Tools Required:**  
Ratchet & 1/2" Socket



**5** Align cover with pickup bed:

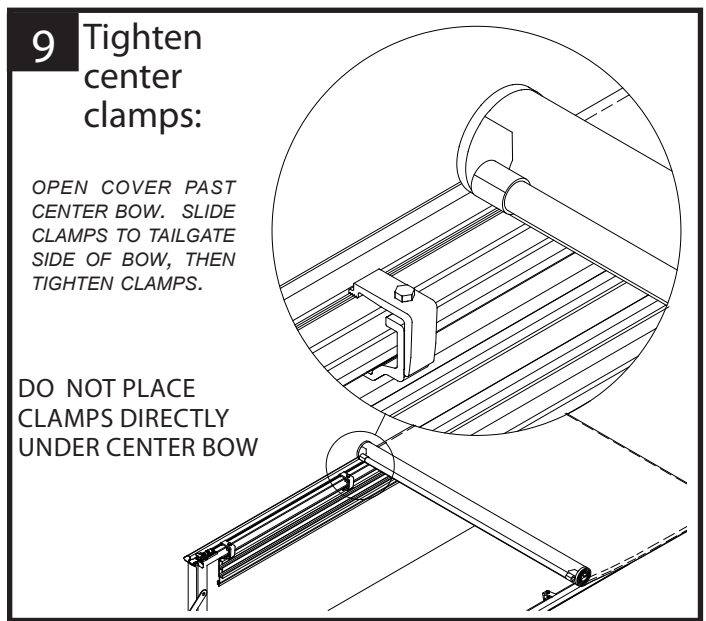
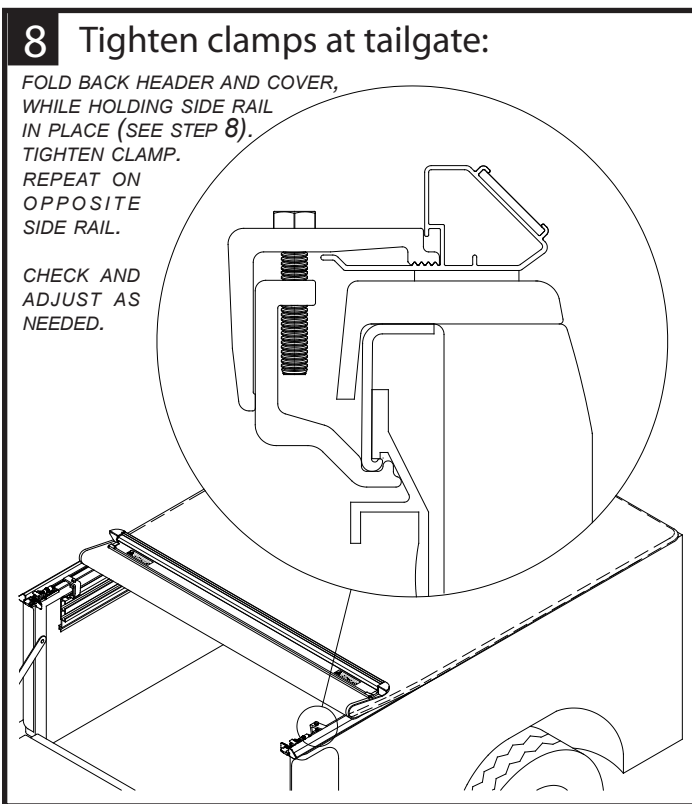
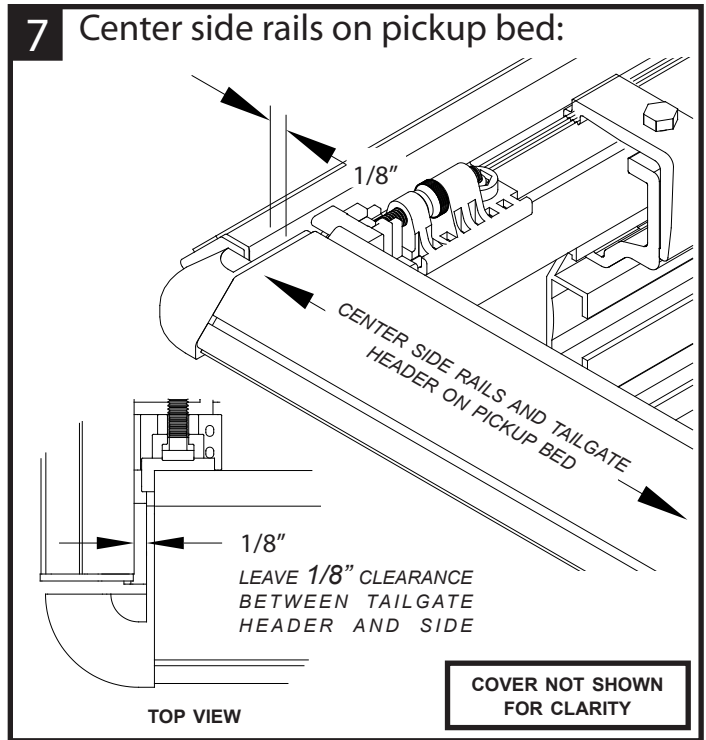
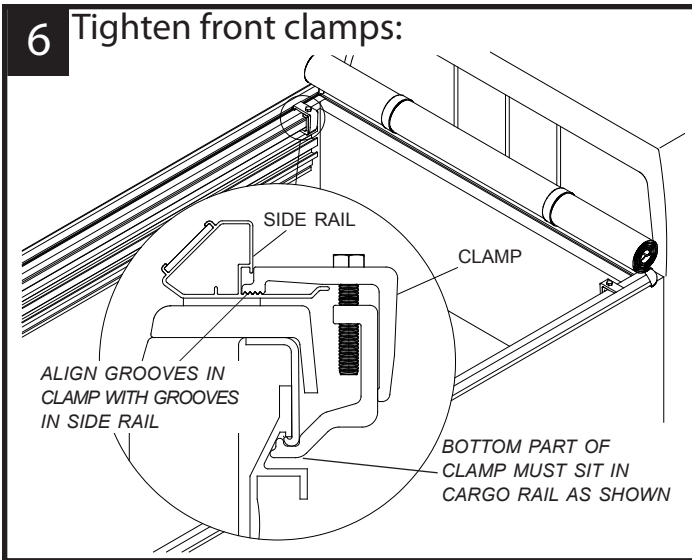


**TruXedo, Inc.**

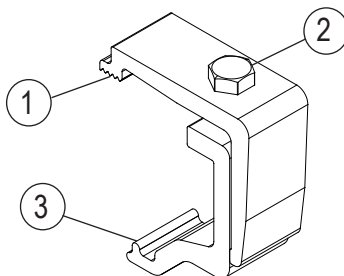
P.O. Box 1078, 2209 Kellen Gross Dr., Yankton, South Dakota 57078  
Call Toll Free: 1-877-TRUXEDO (1-877-878-9336) Fax: (605) 664-9304  
Visit Us Online: <http://www.truxedo.com>

**TRUXPORT**  
Another Fine Tonneau Cover by TruXedo

P/N 1117419 Rev A



To complete the TruXport installation please refer to the owners manual and continue at step 11.



**Replacement Parts List**

Item	Part #	Description
1.	1704203	CLAMP MALE
2.	1703548	SCREW 5/16"-18 X 1 3/4"
3.	1704095	CLAMP FEMALE

**TruXedo, Inc.**

P.O. Box 1078, 2209 Kellen Gross Dr., Yankton, South Dakota 57078  
 Call Toll Free: 1-877-TRUXEDO (1-877-878-9336) Fax: (605) 664-9304  
 Visit Us Online: <http://www.truxedo.com>

