

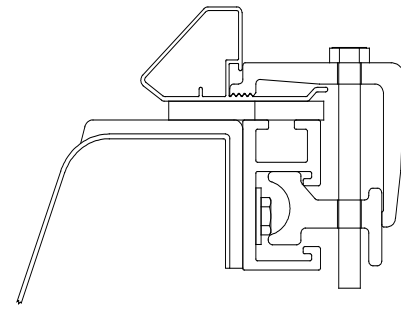
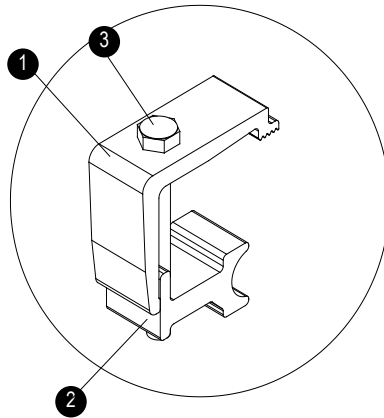
TRUXPORT® 2008 DODGE DAKOTA WITH TRAC SYSTEM INSTRUCTIONS

| Item | Part # | Description |
|------|--------|-------------|
|------|--------|-------------|

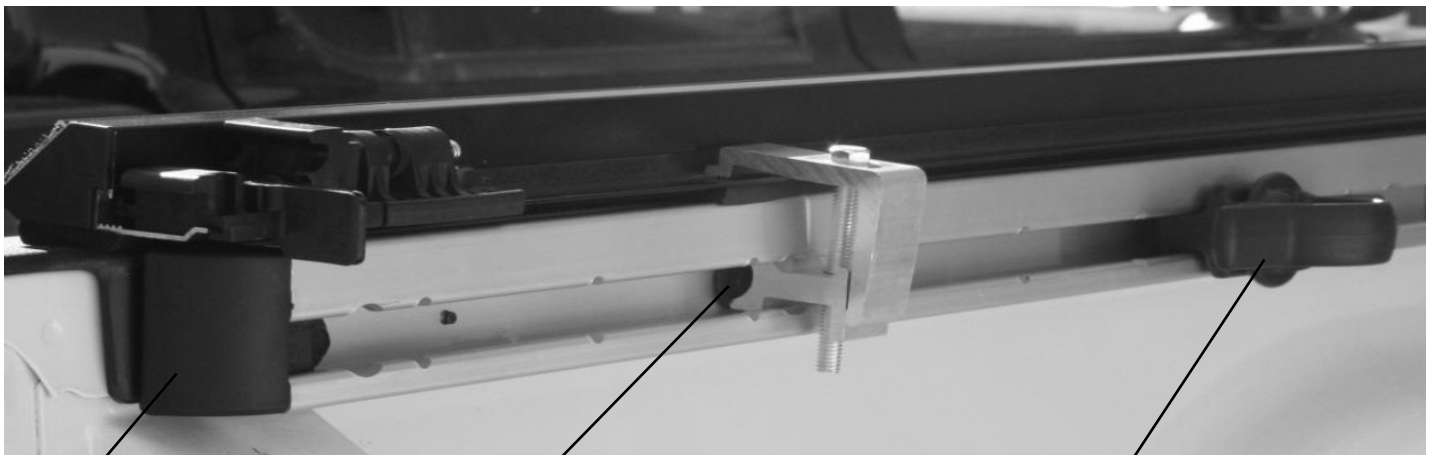
- | | | |
|----|---------|-------------------|
| 1. | 1703530 | Male Clamp |
| 2. | 1703904 | Female Track |
| 3. | 1703925 | 5/16-18 Cap Screw |

(1703926 Six Assembled Clamps)

Refer to Owner's Manual for complete instructions.



End View
Figure A



End Plug

Track Fastener
(Rear clamp must be over fastener)

Tie Down

- STEP 1:** Remove six clamps from bag and disassemble. Three clamps per side.
- STEP 2:** Remove end plug from track. Remove adjustable tie downs.
- STEP 3:** Place female clamp in track with long tang down towards bottom of bed. (see Figure A)
- STEP 4:** Place adjustable tie down followed with female clamp, tie down, clamp.
- STEP 5:** Align rear clamps over fastener in track.
- STEP 6:** Follow manual for cover installation.

⚠ CAUTION

Tighten clamp assemblies securely on side rails before driving vehicle.

NOTE: See Owner's Manual for cover installation.

TRUXEDO

P.O. Box 713, 2209 Kellen Gross Dr., Yankton, South Dakota 57078
Call Toll Free: 1-877-TRUXEDO (1-877-878-9336) Fax: (605) 664-9304 Visit Us Online: <http://www.truxedo.com>

TRUXPORT

Another Fine Tonneau Cover by Truxedo

P/N 1117404 Rev. A