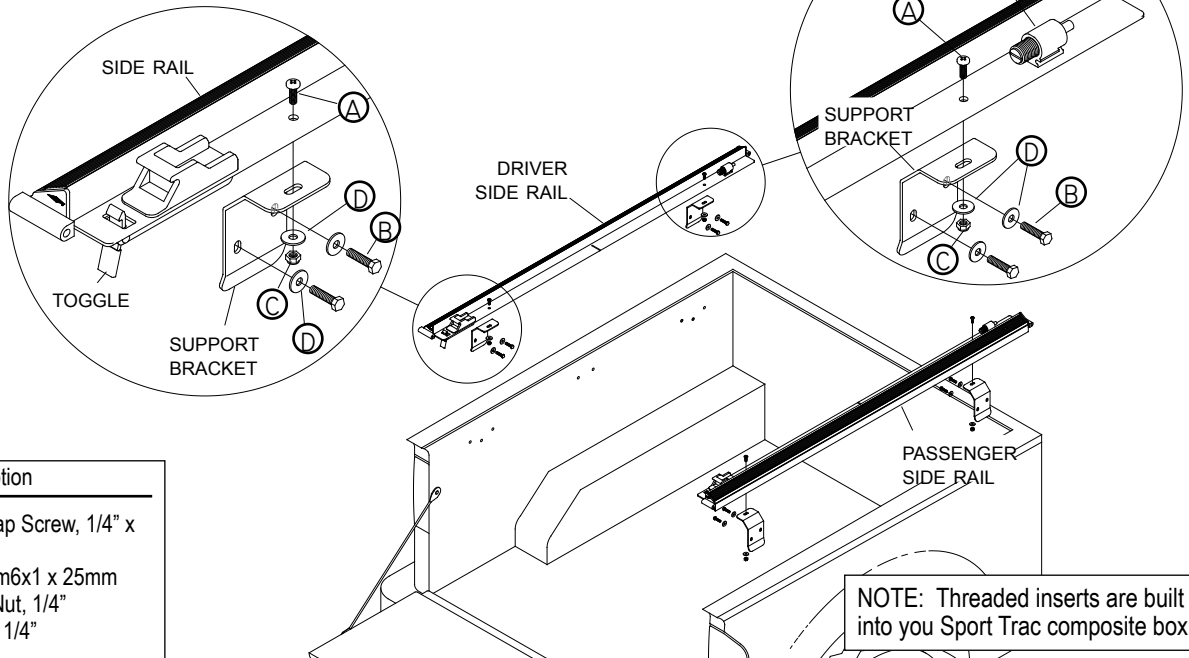


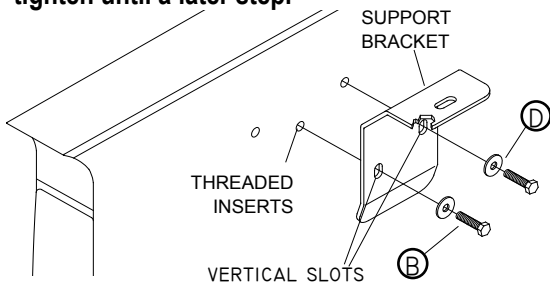
TRUXEDO® LO PRO FORD EXPLORER SPORT TRAC 2007 INSTRUCTIONS

This instruction sheet explains how to install TruXedo® Lo Pro side rails on the Ford Explorer Sport Trac. Support brackets replace standard clamp assemblies.

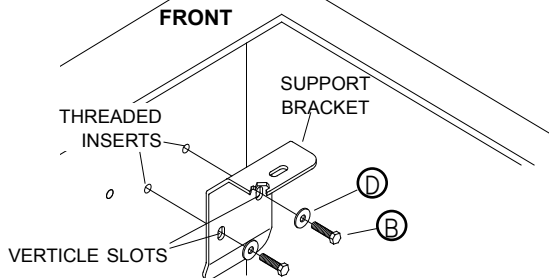


Item	Part #	Description
A.	1702741	Pan Head Cap Screw, 1/4" x 3/4"
B.	1702831	Cap Screw, m6x1 x 25mm
C.	1701543	Nylon Lock Nut, 1/4"
D.	1700427	Flat Washer, 1/4"

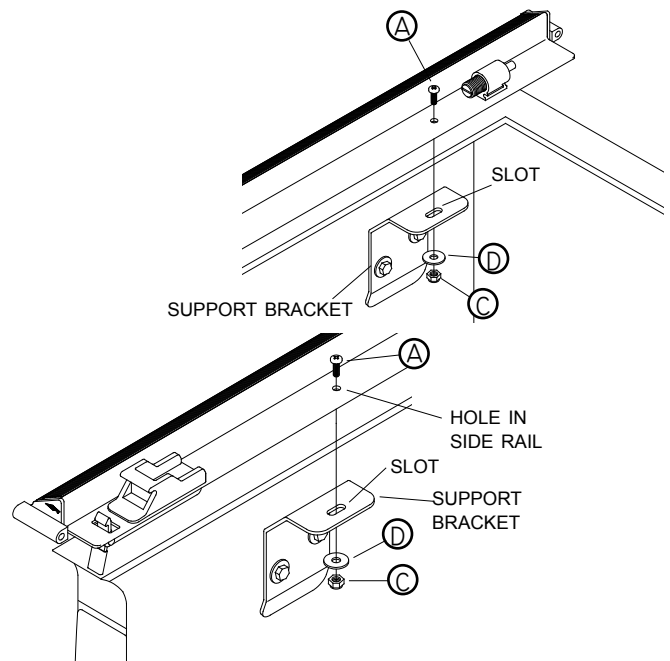
STEP 1: Align verticle slots in support bracket with threaded inserts in composite box near tailgate. Insert screws **B** through washers **D** and slots in bracket. Thread the screws into composite box **DO NOT completely tighten until a later step.**



STEP 2: Align verticle slots on support bracket with threaded inserts at front of composite box. Insert screws **B** through washers **D** and slots in bracket. Finger tighten into composite box.



STEP 3: Fasten side rails to support brackets through holes in side rails with screws **A**, washers **D**, and nuts **C**.



STEP 4: Tighten all screws and nuts securely.

CAUTION Tighten screws and nuts on side rails before driving vehicle.

TruXedo, Inc.

P.O. Box 1078, 2209 Kellen Gross Dr., Yankton, South Dakota 57078
 Call Toll Free: 1-877-TRUXEDO (1-877-878-9336) Fax: (605) 664-9304
 Visit Us Online: <http://www.truxedo.com>

