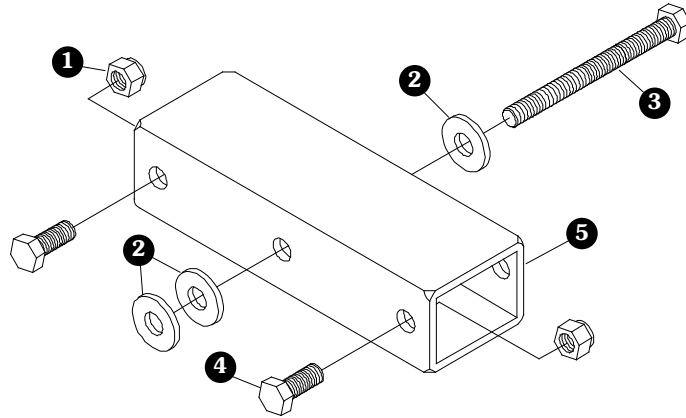


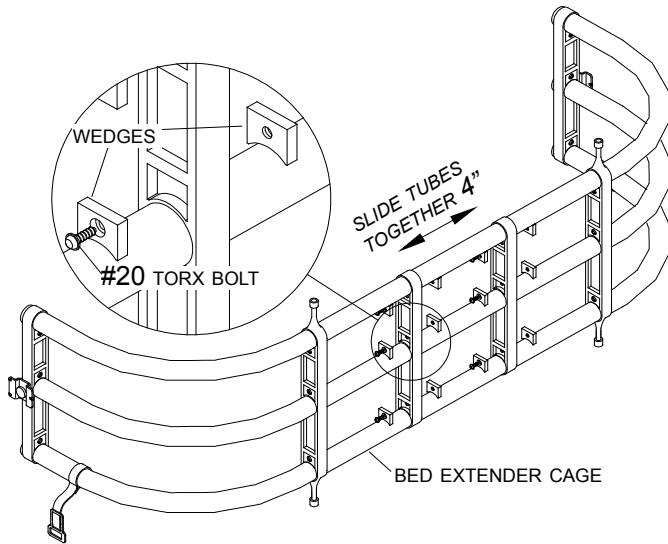
NISSAN FRONTIER BED EXTENDER INSTALLATION

Item	Part #	Description
1.	1700419	Lock Nut, 5/16"
2.	1700428	Flat Washer, 5/16"
3.	1703801	Cap Screw, Metric, M8 x 1.25 x 90mm
4.	1701045	Cap Screw, 5/16" x 3/4"
5.	1116247	Tube Spacer

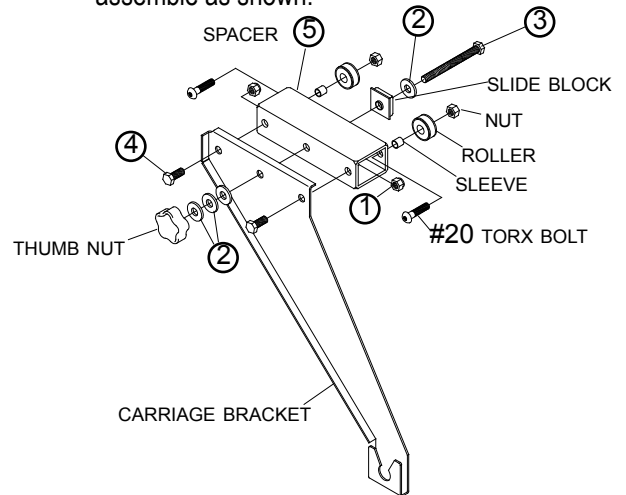
Follow these instructions to install a bed extender on your Nissan Frontier pickup. Refer to Owner's Manual for complete installation instructions.



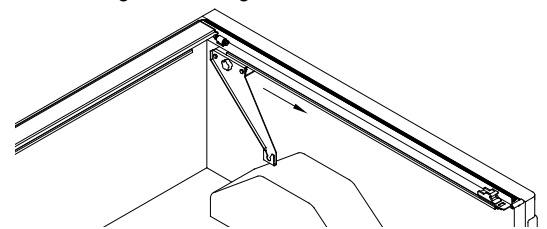
STEP 1: Adjust Width of Bed Extender Cage: Open tailgate and remove bed extender cage. Measure and record width of cage. Using a #20 torx wrench, loosen torx bolts from wedges. Pry wedges loose and slide tubes together, so that cage is 4" narrower than it was originally. Replace wedges and retighten torx bolts.



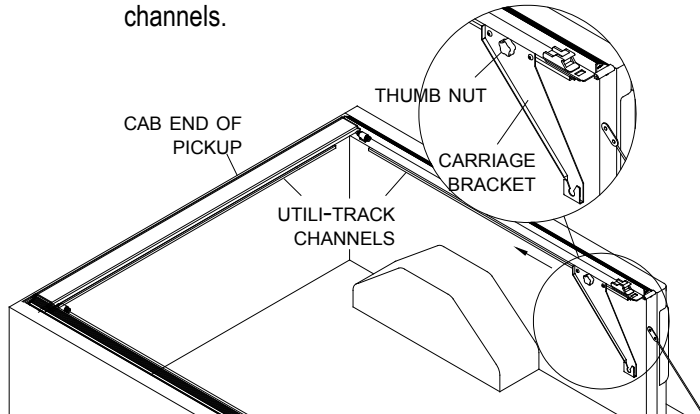
STEP 3: Install Spacers: Disassemble carriage brackets. Re-assemble as shown.



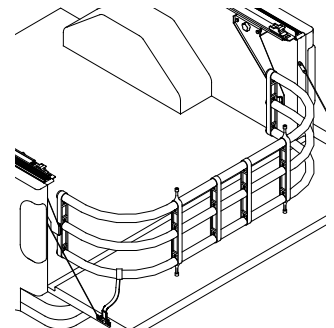
STEP 4: Replace Carriage Brackets: Slide carriage bracket assemblies into Utili-track channels at cab end of pickup bed. Slide toward tailgate. Re-install bed extender cage, following manufacturers instructions.



STEP 2: Remove Carriage Brackets: Loosen thumb nut and slide carriage bracket assemblies to cab end of pickup bed. Remove bracket assemblies from Utili-track channels.



STEP 5: Final Adjustments: Rotate bed extender cage to rest on tailgate. Adjust length of safety strap and re-fasten to tailgate. Make sure all bolts are tightened, and bed extender operates correctly.



TruXedo, Inc.

P.O. Box 1078, 2209 Kellen Gross Dr., Yankton, South Dakota 57078
 Call Toll Free: 1-877-TRUXEDO (1-877-878-9336) Fax: (605) 664-9304
 Visit Us Online: <http://www.truxedo.com>

TRUXEDO
Lo-Profile
 Patented

P/N 1116248 Rev. B