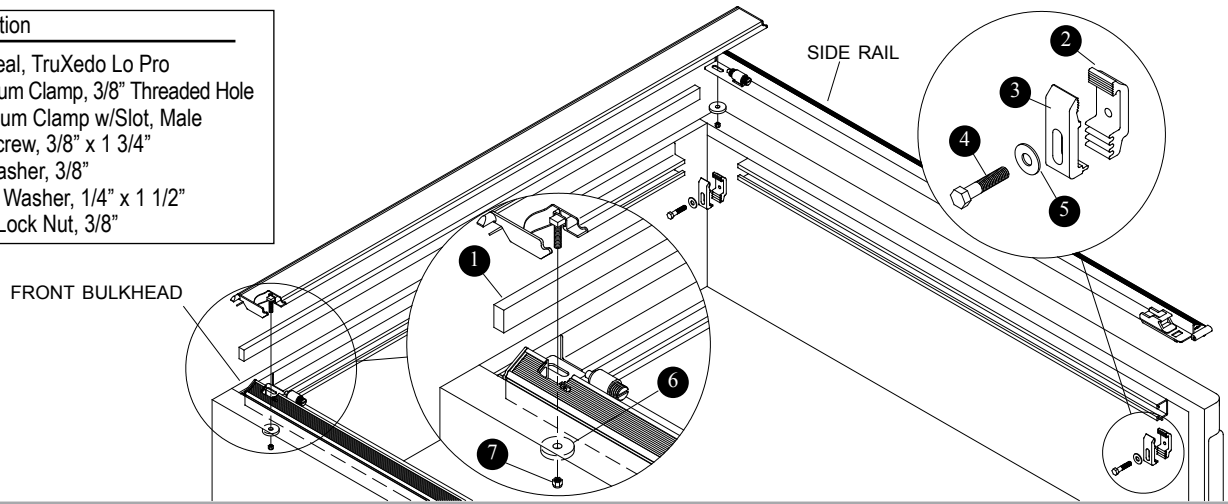


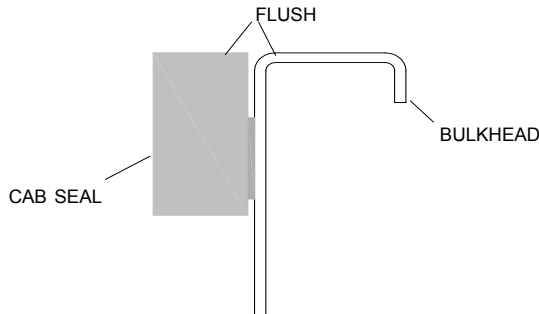
TRUXEDO® LO PRO NISSAN FRONTIER INSTALLATION

Item	Part #	Description
1.	1703331	Cab Seal, TruXedo Lo Pro
2.	1703253	Aluminum Clamp, 3/8" Threaded Hole
3.	1703254	Aluminum Clamp w/Slot, Male
4.	1700369	Cap Screw, 3/8" x 1 3/4"
5.	1700429	Flat Washer, 3/8"
6.	1115745	Plastic Washer, 1/4" x 1 1/2"
7.	1701580	Nylon Lock Nut, 3/8"

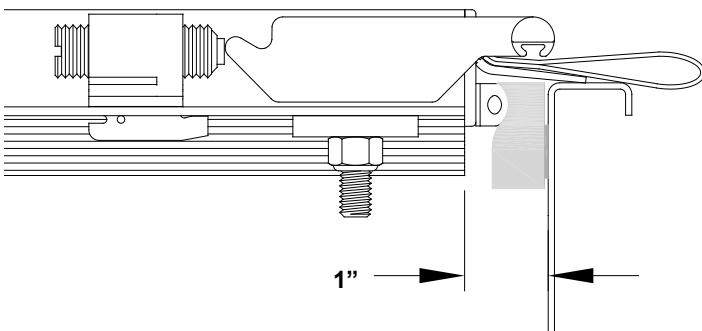


Follow these instructions to install cab weather seal, side rail clamps, and cab header on your 2005 Nissan Frontier pickup. Refer to Owner's Manual for complete installation instructions.

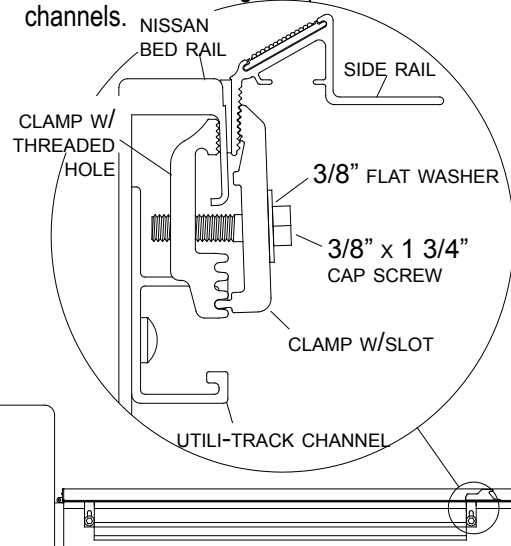
STEP 1: Cab Weather Seal: Install cab weather seal inside front bulkhead, covering full width (see above). Align top edge of seal flush with top edge of bulkhead. Slowly peel backing and press seal against bulkhead to bond adhesive.



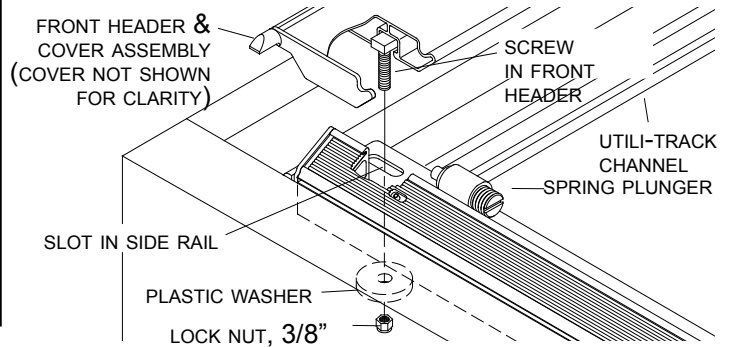
STEP 2: Side Rails: Position side rails against cab weather seal as shown below. See Owner's Manual for complete instructions.



STEP 3: Side Rail Clamps: If your pickup bed does not have Utili-track channels, install three clamps on each side rail as shown in owner's Manual. If your pickup bed does have Utili-track channels, install two clamps on each side rail, locating clamps at each end of Utili-track channels.



STEP 4: Front header: Back spring plunger out. Set cover assembly across cab end of side rails. Insert screws in front header through slots in side rails. Secure with plastic washers and lock nuts, but do not over tighten. Header must be free to slide.



TruXedo, Inc.

P.O. Box 1078, 2209 Kellen Gross Dr., Yankton, South Dakota 57078

Call Toll Free: 1-877-TRUXEDO (1-877-878-9336) Fax: (605) 664-9304

Visit Us Online: <http://www.truxedo.com>

P/N 1115942 Rev. D

TRUXEDO
Lo-Pro QT
Patented