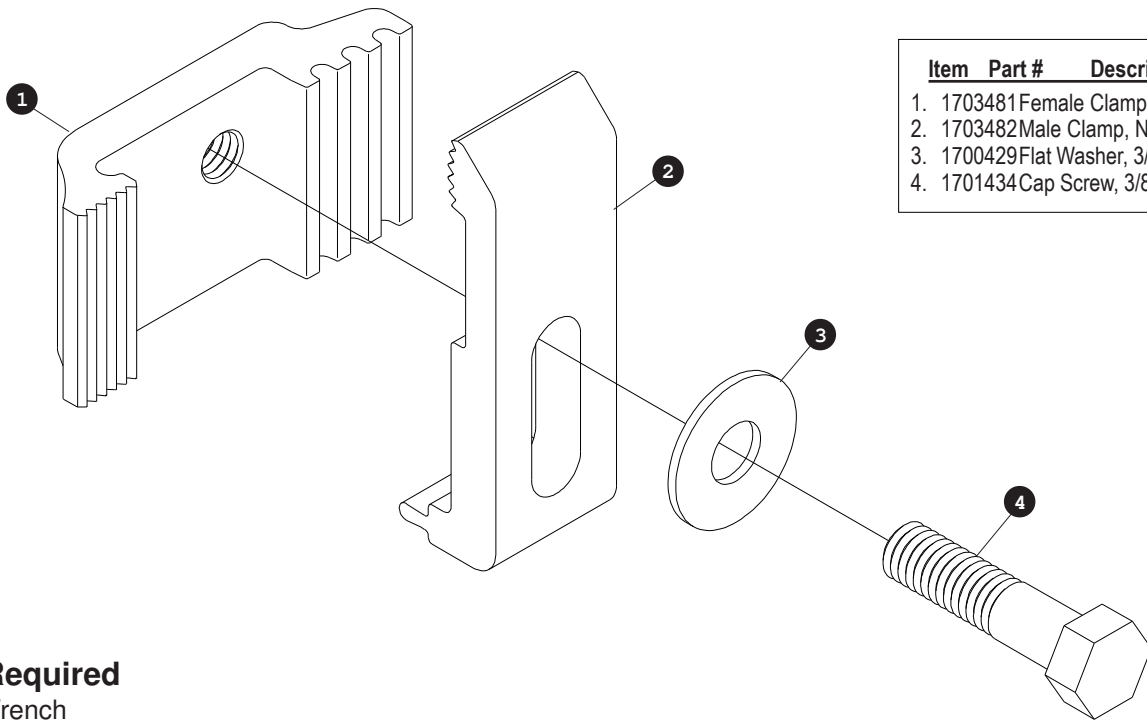


NISSAN TITAN SIDE RAIL INSTALLATION INSTRUCTIONS



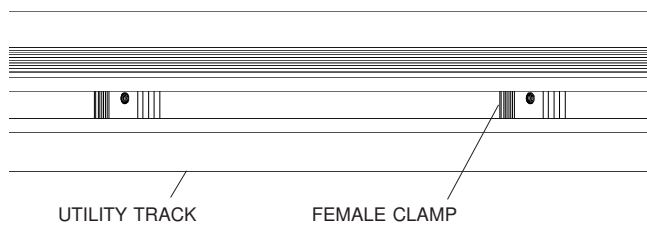
Item	Part #	Description
1.	1703481	Female Clamp, Nissan Titan
2.	1703482	Male Clamp, Nissan Titan
3.	1700429	Flat Washer, 3/8"
4.	1701434	Cap Screw, 3/8" x 1 1/2"

Tools Required

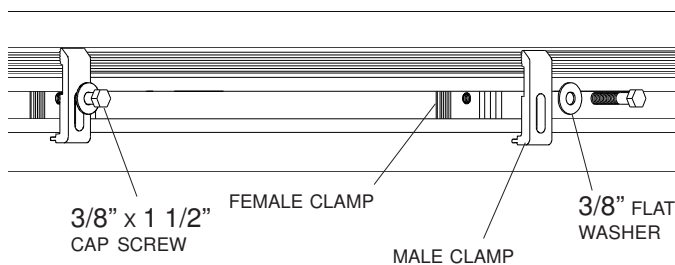
- 9/16" Wrench

NOTE: If your Nissan Titan pickup bed rails do not have utility tracks, install side rails as shown in your TruXedo® Lo Pro Owners Manual.

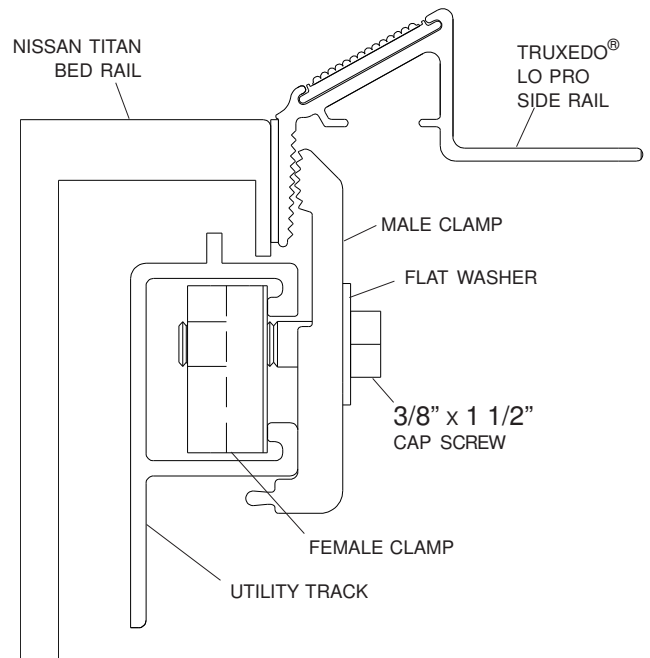
STEP 1: Insert female clamps, three per side, into utility tracks on Nissan bed rails.



STEP 2: Evenly space and fasten male clamps loosely to female clamps with 3/8" x 1 1/2" cap screws.



STEP 3: Install TruXedo® side rails, wedging rails between male clamp and bed rail.



STEP 4: Tighten clamps securely.

STEP 5: Follow instructions in your TruXedo® Lo Pro Owners Manual to finish installing your tonneau cover.

Truxedo, Inc.

P.O. Box 1078, 2209 Kellen Gross Dr., Yankton, South Dakota 57078

Call Toll Free: 1-877-TRUXEDO (1-877-878-9336) Fax: (605) 664-9304 Visit Us Online: <http://www.truxedo.com> P/N 1115723 Rev B

