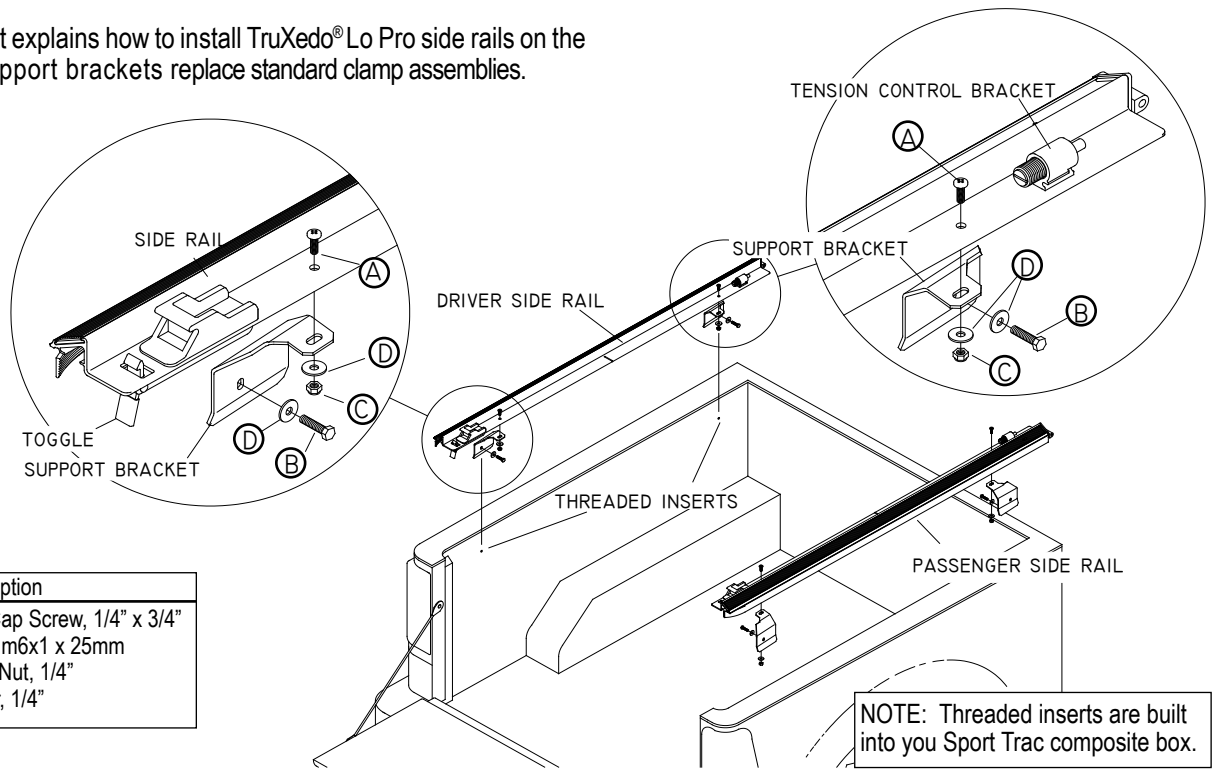


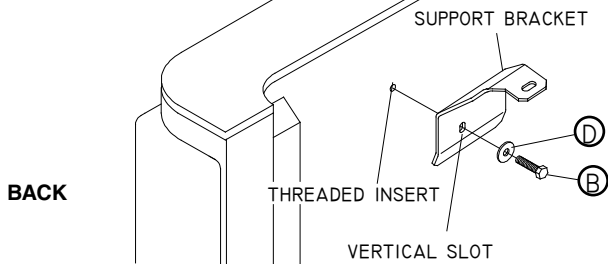
TRUXEDO® LO PRO FORD EXPLORER SPORT TRAC 2001-2006 INSTRUCTIONS

This instruction sheet explains how to install TruXedo® Lo Pro side rails on the Ford Sport Trac. Support brackets replace standard clamp assemblies.

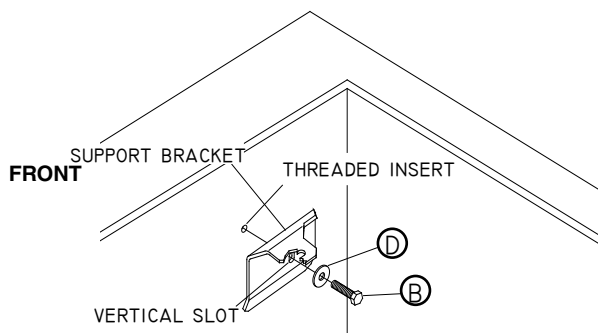


Item	Part #	Description
A.	1702741	Pan Head Cap Screw, 1/4" x 3/4"
B.	1702831	Cap Screw, m6x1 x 25mm
C.	1701543	Nylon Lock Nut, 1/4"
D.	1700427	Flat Washer, 1/4"

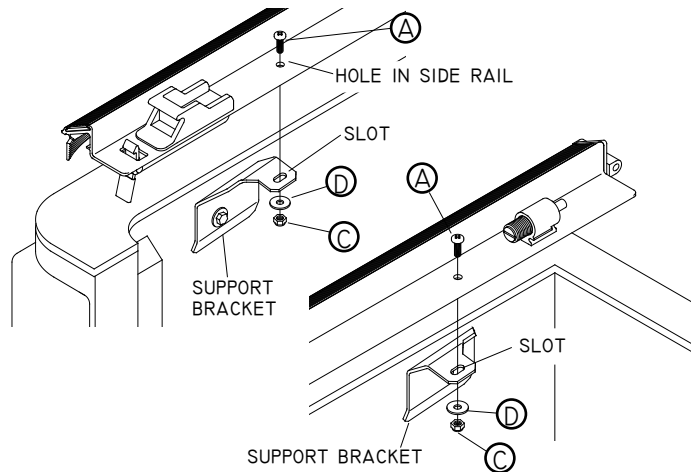
STEP 1: Align verticle slot in support bracket with threaded insert in composite box near tailgate. Insert screw **B** through washer **D** and slot in bracket. Finger tighten into composite box.



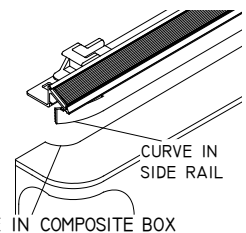
STEP 2: Align verticle slot on support bracket with threaded insert at front of composite box. Insert screw **B** through washer **D** and slot in bracket. Finger tighten into composite box.



STEP 3: Fasten side rails to support brackets through holes in side rails with screws **A**, washers **D**, and nuts **C**.



STEP 4: Adjust side rails rearward so that the curve in the side rail seals against the curve in the composite box.



STEP 5: Tighten all screws and nuts securely.

CAUTION Tighten screws and nuts on side rails before driving vehicle

TruXedo, Inc.

P.O. Box 1078, 2209 Kellen Gross Dr., Yankton, South Dakota 57078
 Call Toll Free: 1-877-TRUXEDO (1-877-878-9336) Fax: (605) 664-9304
 Visit Us Online: <http://www.truxedo.com>

TRUXEDO
 Lo-Pro RT
 P/N 1115506 Revision B