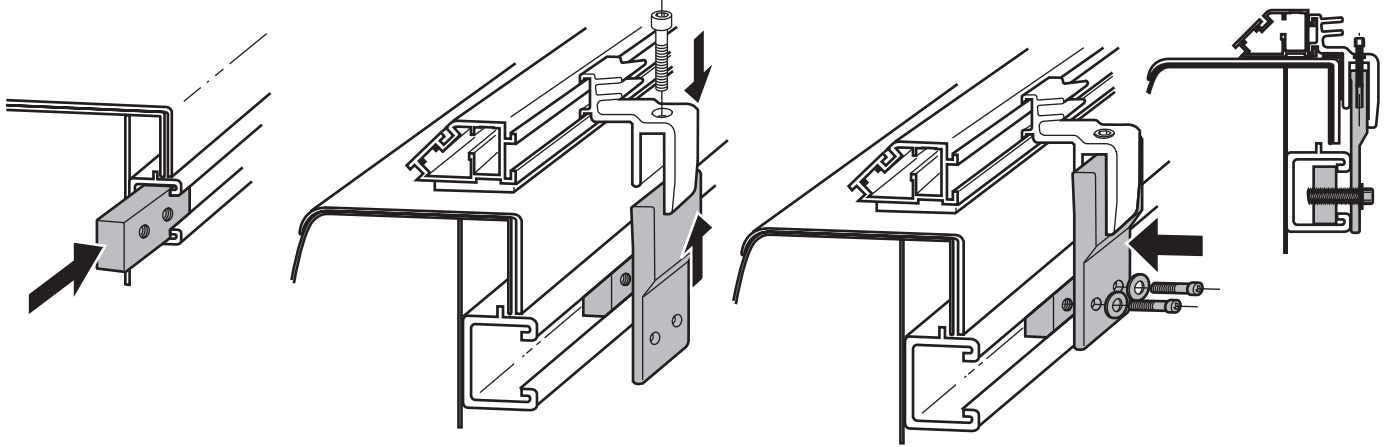


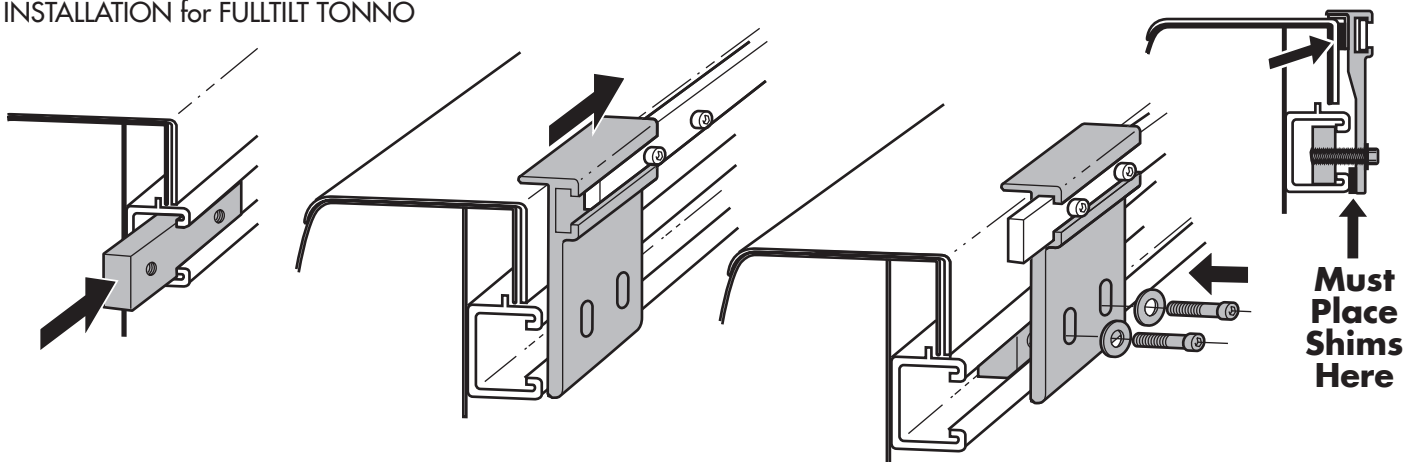
Alternative Brackets for Nissan Titan 2005-

SUPPLEMENT to INSTALLATION INSTRUCTIONS

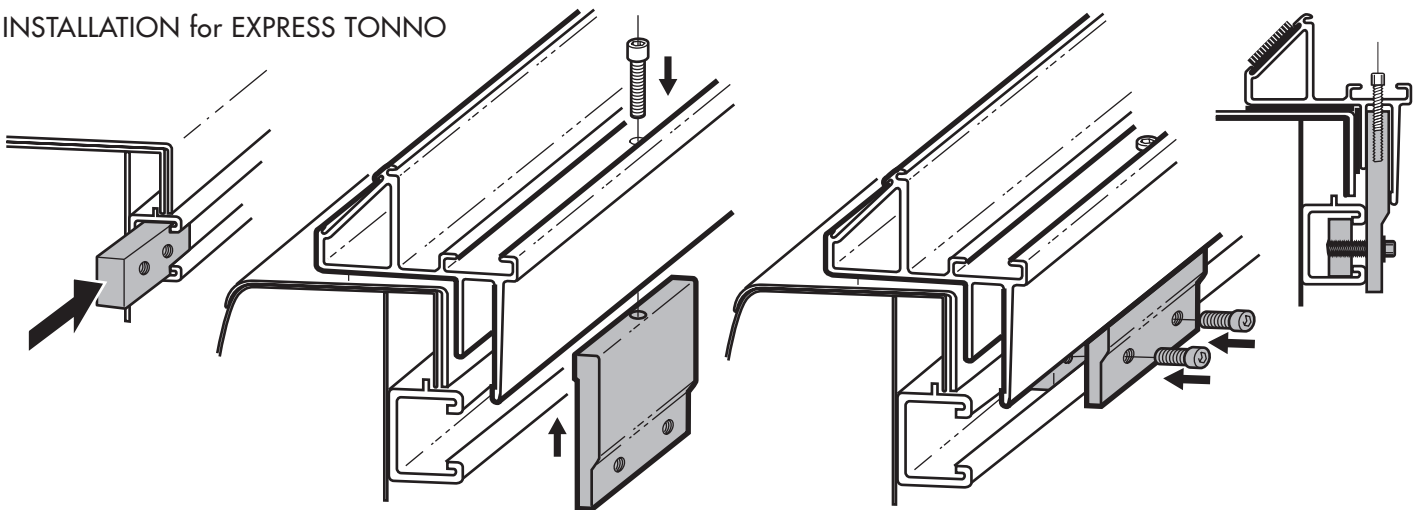
INSTALLATION for CLASSIC, BLACKMAX and TUFFTONNO TONNOS



INSTALLATION for FULLTILT TONNO



INSTALLATION for EXPRESS TONNO



extang
AMERICA'S BEST
SELLING TONNEAUS

Extang Corporation
1901 E. Ellsworth Rd.
Ann Arbor, MI 48108
734 677-0444, Fax: 734 677-8409

Register your warranty at:

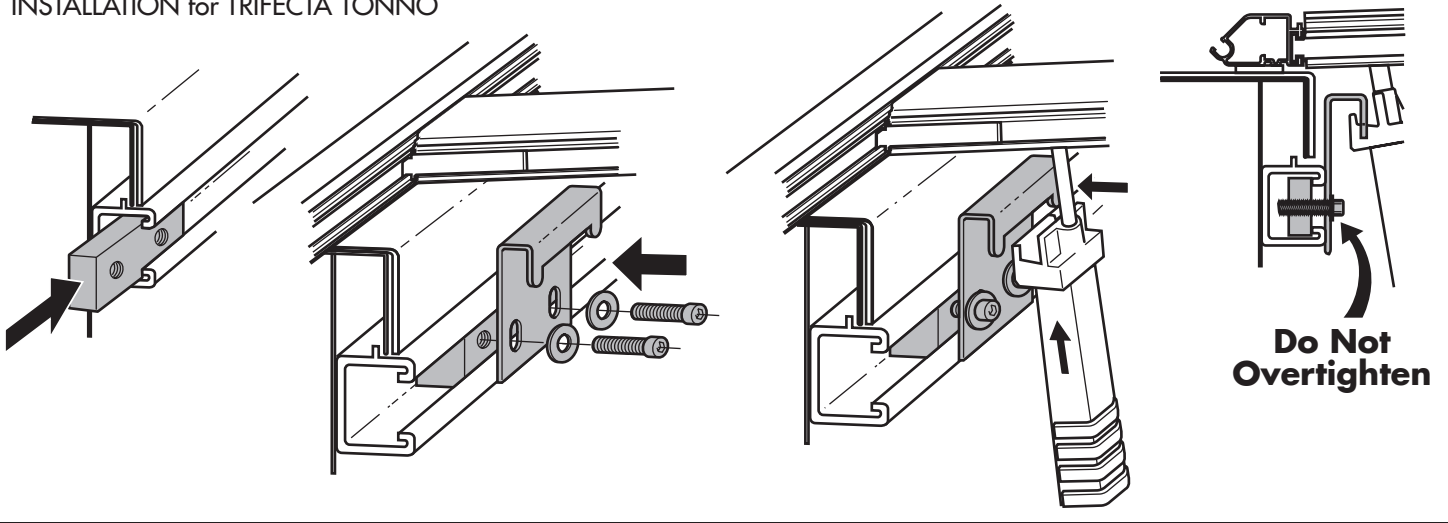
www.extang.com

Item No. 0155-0808 RH Printed in U.S.A.

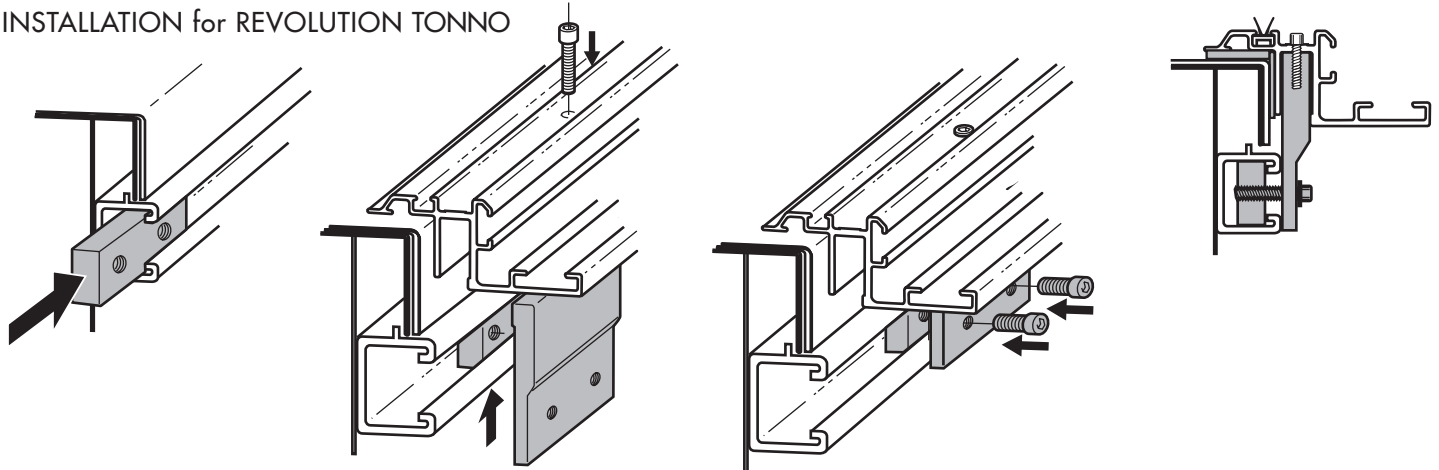
Alternative Brackets for Nissan Titan 2005-

SUPPLEMENT to INSTALLATION INSTRUCTIONS

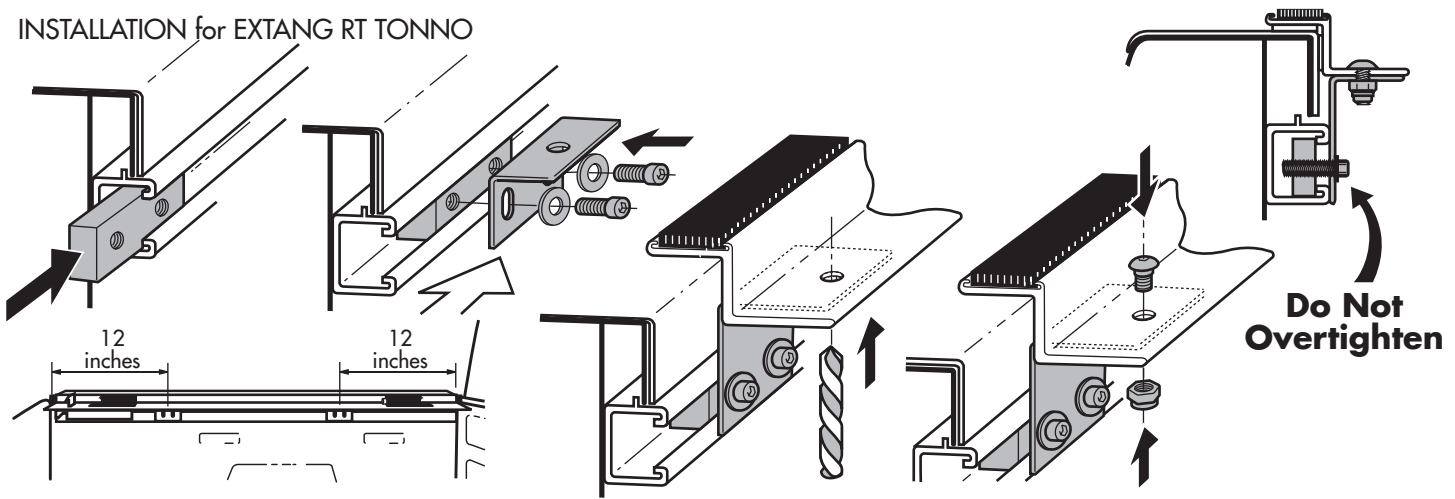
INSTALLATION for TRIFECTA TONNO



INSTALLATION for REVOLUTION TONNO



INSTALLATION for EXTANG RT TONNO



extang
AMERICA'S BEST
SELLING TONNEAUS

Extang Corporation
1901 E. Ellsworth Rd.
Ann Arbor, MI 48108
734 677-0444, Fax: 734 677-8409

Register your warranty at:

www.extang.com

Item No. 0155-0808 RH Printed in U.S.A.