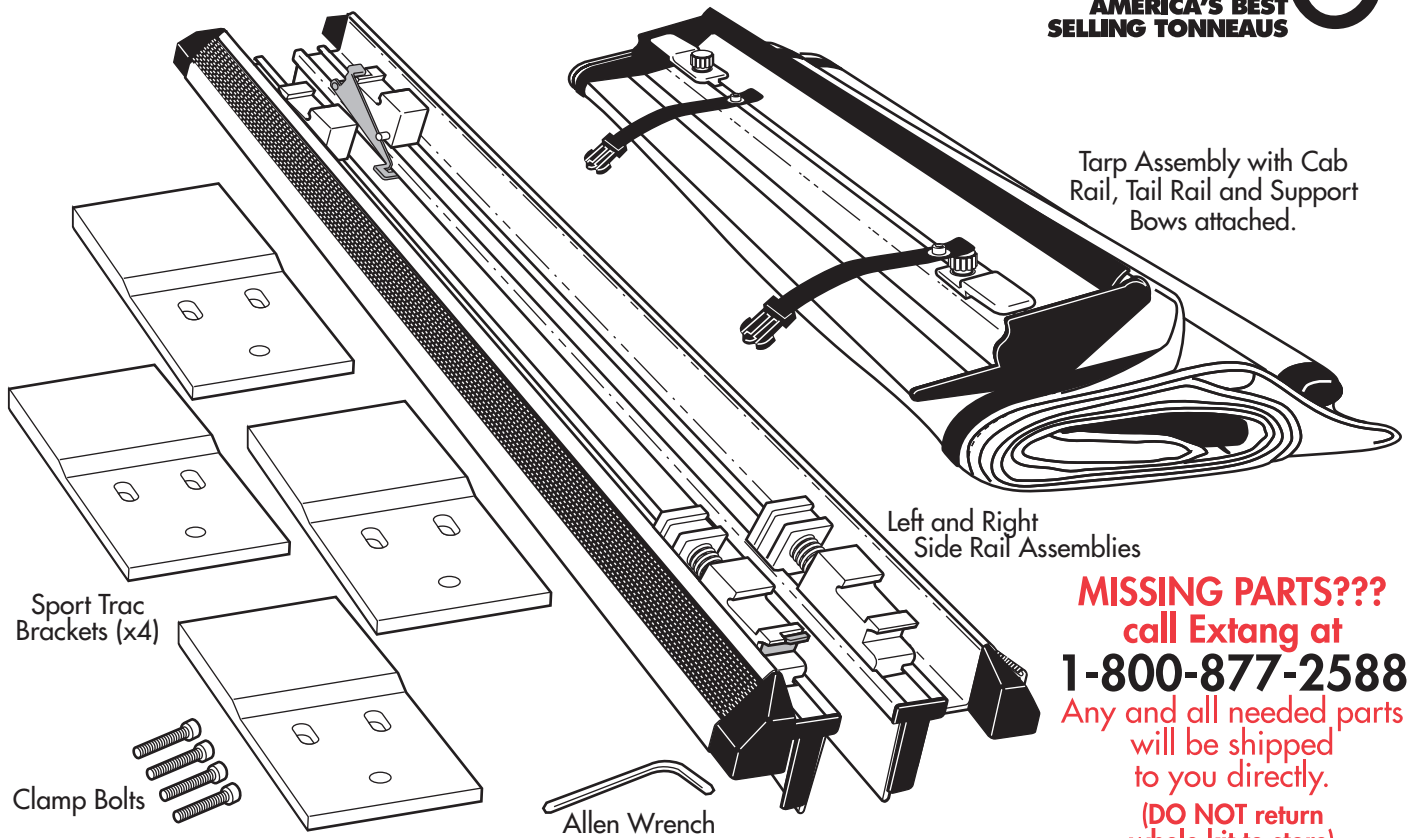


INSTALLATION SHEET - '07 Ford Sport Trac

EXPRESS

TONNO

extang
 AMERICA'S BEST
 SELLING TONNEAUS

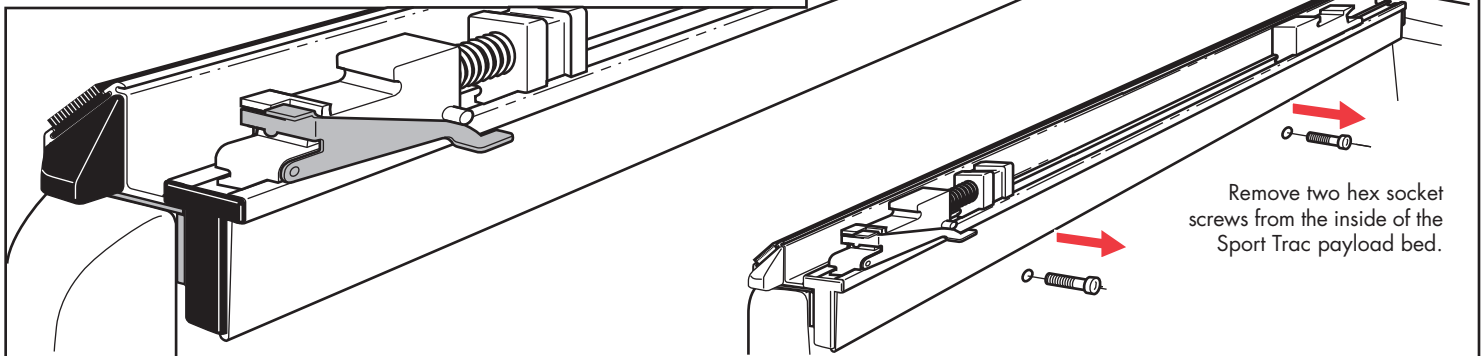
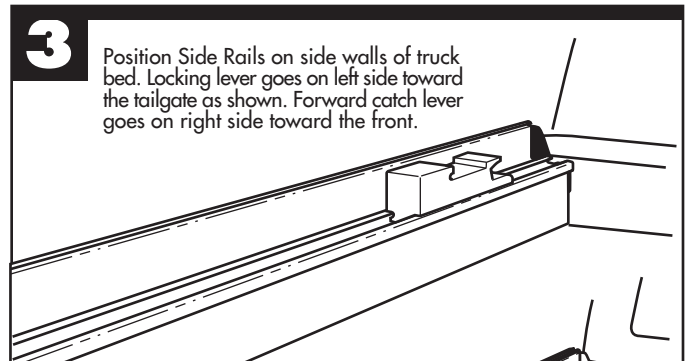
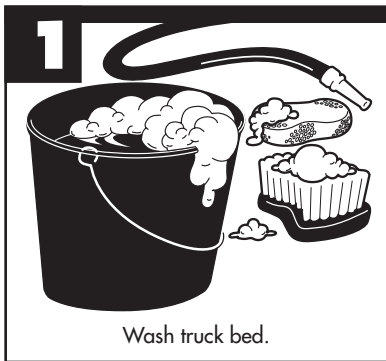


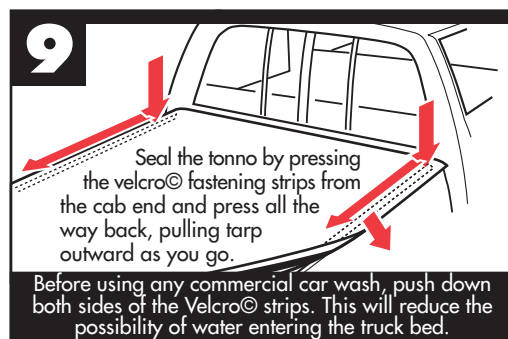
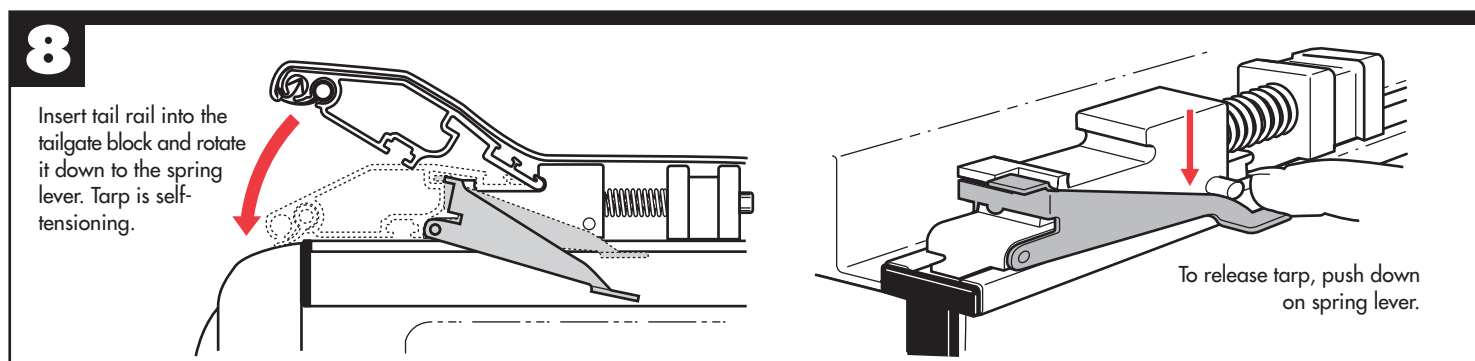
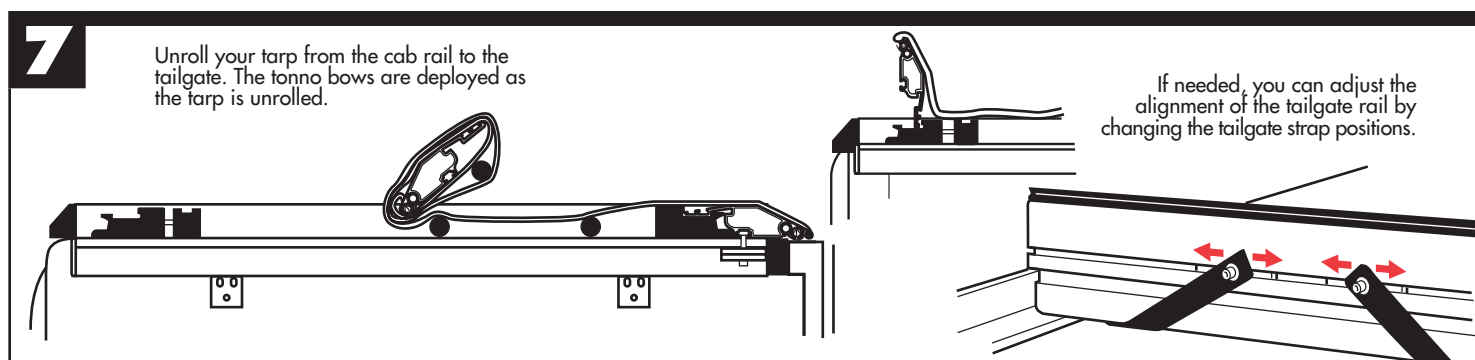
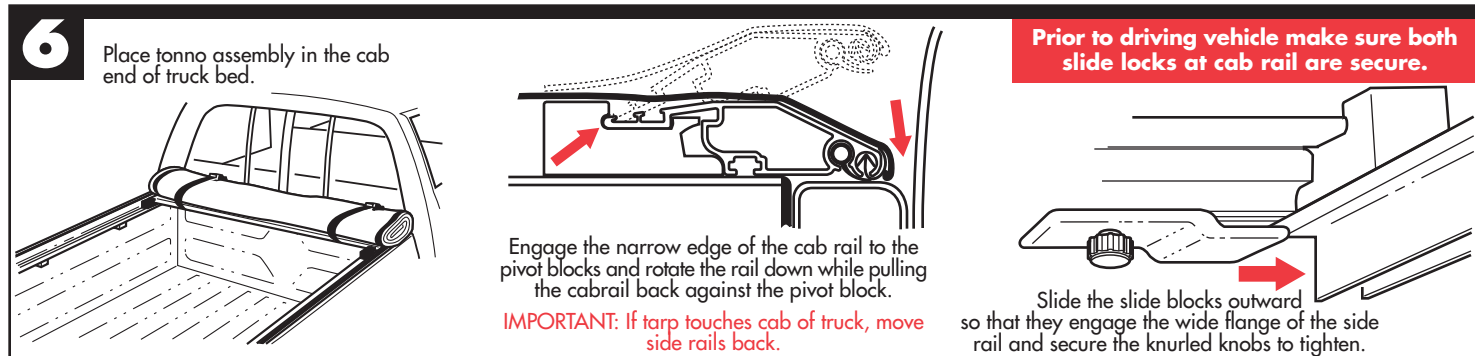
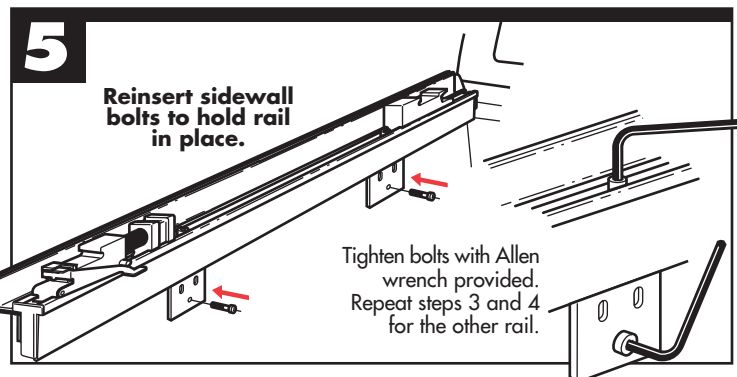
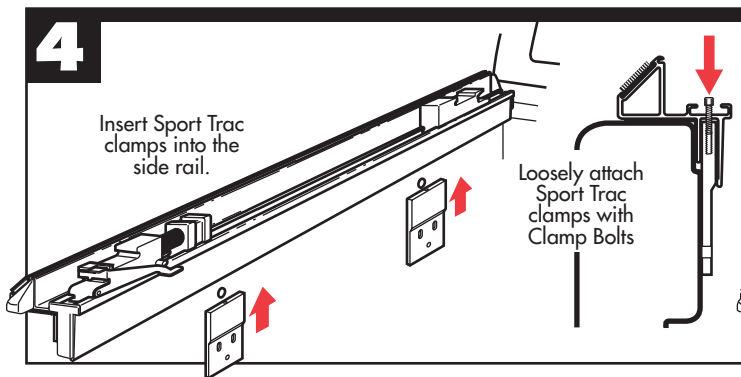
Tarp Assembly with Cab Rail, Tail Rail and Support Bows attached.

Left and Right Side Rail Assemblies

MISSING PARTS???
 call Extang at
1-800-877-2588
 Any and all needed parts
 will be shipped to
 you directly.
 (DO NOT return
 whole kit to store)

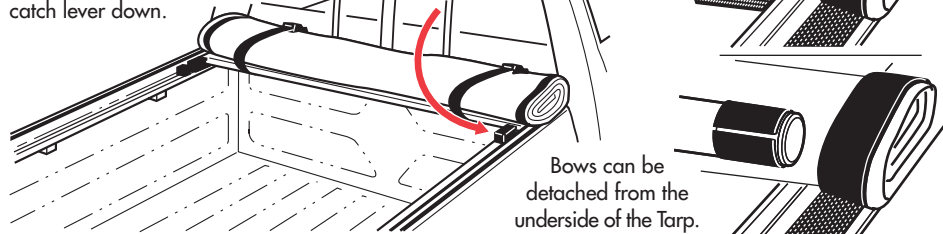
PARTS INCLUDED IN YOUR KIT. You may want to lay them out in this manner for accessibility.





EASY USE OF TRUCK BED

Tarp may be rolled up and secured with buckle straps for bulk hauling. For more access, tarp can also be removed completely by loosening knurled knobs, retracting slide blocks and pulling the forward catch lever down.



For care instructions see tag on underside of tarp