



## Installation Instructions:

(Part # SB76793)  
SRC TJ Tubular Doors

**NOTE:** Carefully read entire instructions thoroughly before attempting to install this part.

Parts Included	Qty
91-8003 Driver Side Door	1
91-8008 Passenger Side Door	1
91-5682 Door Hinge	4
90-4242 Weather Stripping	2
90-5783 Limit Strap Bracket	2
90-6714 Hardware Pack: Tube Door	1
3/8" X 1" Stainless Steel Button Head Bolt	8
3/8" Flat Washer	20
3/8" Stover Nut	12

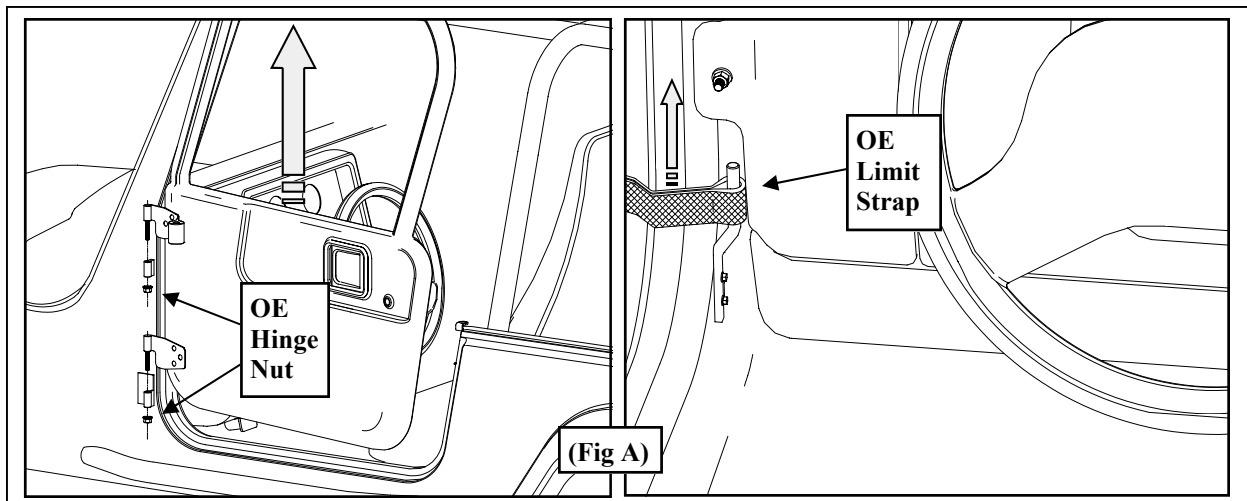
### INSTALLATION:

**Step 1:** Starting on the driver side of the vehicle, remove the (2) OE door hinge retaining nuts. (Fig. A)

**Step 2:** Open the door and unhook the door limit strap from the mount inside the vehicle. Unbolt the limit strap and bracket from the door. Remove the OE bracket from the limit strap. Save the OE bracket for use with the OE doors. (Fig. A)

**Step 3:** Carefully lift and remove the door from the vehicle.

**Step 4:** Install the supplied limit strap bracket (90-5783) onto the limit strap. (Fig. B)



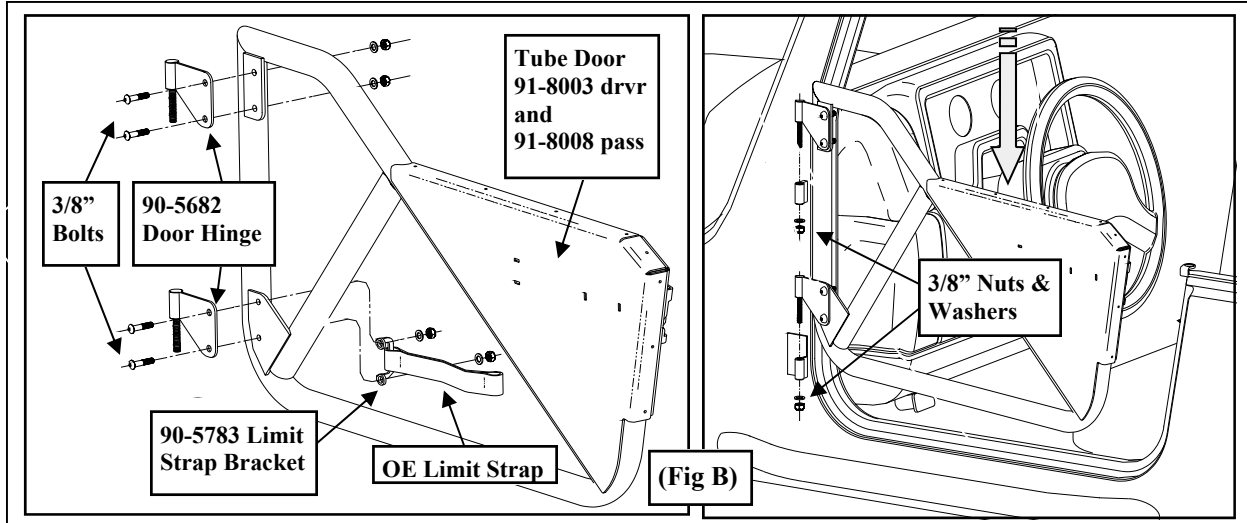
For Technical Support/Warranty Information please call 310-762-9944



## Installation Instructions:

(Part # SB76793)  
SRC TJ Tubular Doors

**Step 5:** Attach the (2) door hinges (90-5682) to the new door (91-8003 and 91-8008) using the (4) supplied 3/8" X 1" stainless bolts and hardware. Install the limit strap and bracket (90-5783) to the lower hinge bolts as well. Leave the bolts snug only at this time. (Fig. B)



**Step 6:** Carefully install the door assembly onto the vehicle hinges. (Fig B)

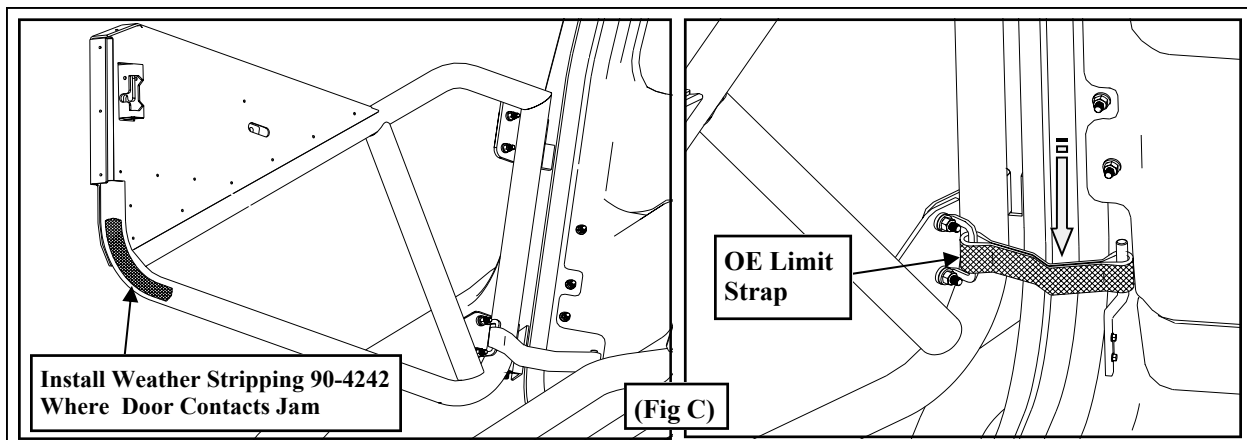
**Step 7:** Carefully close the door and latch it to the door striker. Adjust the door striker if the door won't close properly.

**Step 8:** Carefully adjust the (2) front door hinges to level the door on the vehicle. (Fig B)

**Step 9:** Once the door is adjusted properly torque the hardware according to the chart on page 3.

**Step 10:** Install the provided weather stripping onto the door where the door makes contact with the vehicle door jamb. (Fig. C)

**NOTE:** Failure to properly install the weather stripping may result in vibration or other noise.



For Technical Support/Warranty Information please call 310-762-9944



# Installation Instructions:

(Part # SB76793)  
SRC TJ Tubular Doors

**Step 11:** Reinstall the OE limit strap to the mount on the inside of the vehicle. (Fig. C)

**Step 12:** Repeat the previous steps on the remaining side of the vehicle.

**Step 13:** Installation is now complete.

Bolt Torque and ID						
Decimal System			Metric System			
All Torques in Ft. Lbs.						
Bolt Size	Grade 5	Grade 8	Bolt Size	Class 9.8	Class 10.9	Class 12.9
5/16	15	20	M6	5	9	12
3/8	30	45	M8	18	23	27
7/16	45	60	M10	32	45	50
1/2	65	90	M12	55	75	90
9/16	95	130	M14	85	120	145
5/8	135	175	M16	130	165	210
3/4	185	280	M18	170	240	290

1/2-13x1.75 HHCS D T L X	Grade 5    Grade 8 (No. of Marks + 2)	M12-1.25x50 HHCS D T L X
G = Grade (Bolt Strength) D = Nominal Diameter (Inches) T = Thread Count (Threads per Inch) L = Length (Inches) X = Description (Hex Head Cap Screw)		P = Property Class (Bolt Strength) D = Nominal Diameter (Millimeters) T = Thread Pitch (Thread Width, mm) L = Length (Millimeters) X = Description (Hex Head Cap Screw)

### Product cleaning and maintenance instructions

**Stainless Steel Finish** – Aluminum polish may be used to polish small scratches and scuffs on the finish. Mild soap, window or glass cleaner may be used to clean the finish. **Dual state powder coat finish** – Mild soap, window or glass cleaner may be used to clean the finish. In order to protect the finish, you may wax your product on a regular basis with pure carnauba automotive wax. Do not use any types of soap, polish or was that contains abrasive that could damage the finish. **Textured coated finishes** should be cleaned with a mild soap on a damp sponge. Do not apply polish or was that requires to be removed by means of buffing. This type of wax is commonly used at car wash facilities. **Chrome Finish** – Mild soap, window or glass cleaner may be used to clean the finish. In order to protect the finish you should wax your product on a regular basis with pure carnauba automotive wax. Do not use any types of soap, polish or was that contains abrasive that could damage the finish.

**For Technical Support/Warranty Information please call 310-762-9944**



## Installation Instructions: (Part # SB76793) SRC TJ Tubular Doors

### Limited Warranties

Smittybilt's products are covered under the following limited warranties only. Note that the duration of the limited warranty differs according to the material and finish of the product purchased. Subject to the duration and conditions of the limited warranty stated below, Smittybilt warrants to the original retail purchaser that its products are free from defects in material and workmanship. All other warranties and representations express or implied, are hereby disclaimed, including fitness for merchantability and buyer's intended use or purpose. All parts are sold "AS IS" except for the limited warranties granted herein. Buyer assumes all risks as to the selection, suitability and performance of all goods and products selected. This limited warranty does not cover damage or impairment in any part due to misuse, improper installation, accident or contact with on-road or off-road hazards, product modification, improper or inadequate cleaning and/or maintenance. Smittybilt is not responsible for items damaged during shipping. This warranty is not transferable from the original buyer. For the original Buyer to be eligible for the limited warranty coverage, the Buyer must provide proof of purchase. Smittybilt strongly recommends returning the warranty registration card.

Customer's remedy hereunder shall be limited only to repair or replacement (at Smittybilt's option) of any defective part(s) returned to Smittybilt at customer's expense. The determination of whether or not a returned part is defective or subject to coverage under the limited warranties stated herein shall be made at Smittybilt's sole discretion.

### Duration of Limited Warranty

#### **Limited Lifetime Warranty on Stainless Steel Products -**

Smittybilt stainless steel products carry the foregoing limited repair or replacement warranty against workmanship and defects in the material so long as the original purchaser retains the original stainless steel parts.

#### **Limited Five (5) Year / 50,000 Mile Pro-Rata Warranty (whichever occurs first) on Dual-Stage Powder Coating Products -**

Smittybilt dual-stage powder coated products carry the foregoing limited repair or replacement warranty for a period of (5) years or 50,000 miles (whichever occurs first) from date of purchase against workmanship and defects in the material, provided that any claim submitted after (2.5) years from date of purchase shall, if accepted, be satisfied by Smittybilt offering customer a credit on the purchase of a replacement product equal to fifty percent (50%) of customer's initial purchase price.

#### **Limited Three (3) Year / 36,000 Mile Pro-Rata Warranty (whichever occurs first) on Chrome Products-**

Smittybilt chrome products finished carry the foregoing limited repair or replacement warranty for a period of three (3) years or 36,000 miles against workmanship and defects in the material (whichever occurs first) from the date of purchase.

To assure product quality, Smittybilt reserves the right to change product design, material, specification and finishes without prior notice to customers. This limited warranty gives you specific legal rights and you may also have other rights, which may vary from state to state. Some states do not allow limitations on how long an implied warranty lasts, so the above limitations may not apply as to you. Also, some states do not allow the exclusion or limitation of incidental or consequential damages, so the above limitations or exclusions may not apply to you. Smittybilt reserves the right to discontinue product lines and substitute products, or provide other remedies than those listed in this limited warranty for those discontinued products.

**For Technical Support/Warranty Information please call 310-762-9944**

---

**Smittybilt, 400 W Artesia, Compton, CA 90220**